

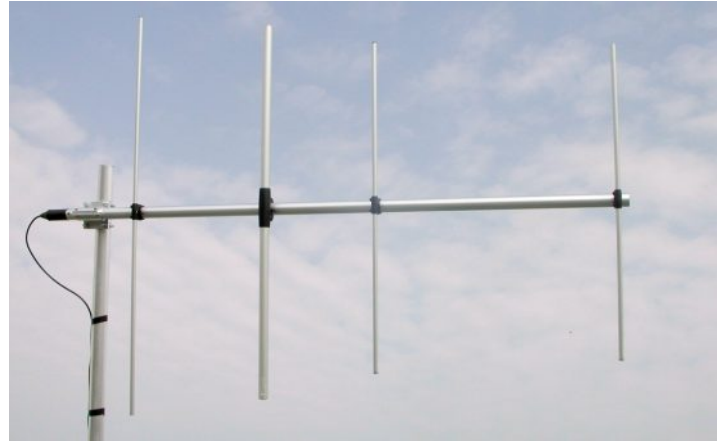
# WY 140-4N

# WY 155-4N

## VHF Base Station 4 Elements Yagi Antennas 140-175 MHz

**DESCRIPTION:** Base station antennas conceived by using an innovative feed system studied and applied to have highly symmetrical radiation pattern in both planes (E and H). Its completely computer designed to get high performances of gain and front-to-back in the working band. All aluminium parts are protected by anodized treatment, hardware are of Stainless steel or zinc plated steel, mounting bracket is of extruded aluminium for the best strength and the connector is placed in rear position for an easily access. To increase the antenna gain please install it in vertical stacked array.

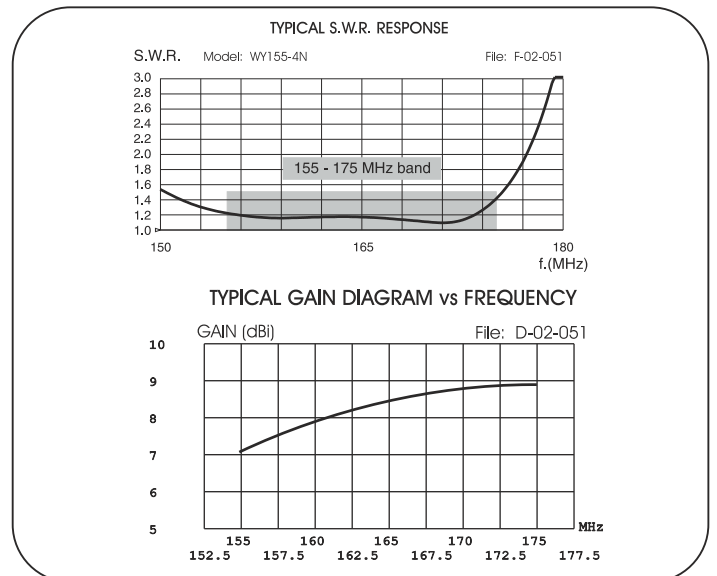
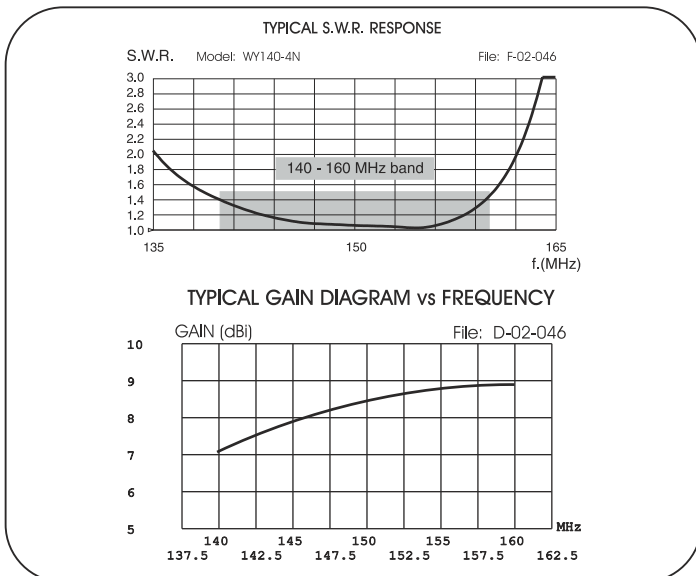
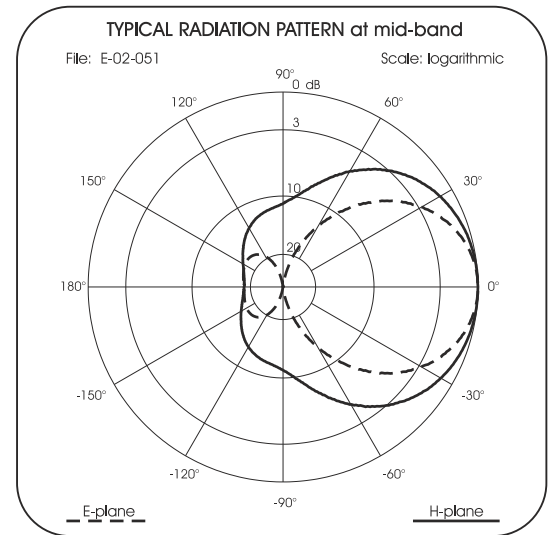
**These products are Patented.**



Electrical Data	WY 140-4N	WY 155-4N
Type	4 elements Yagi	
Frequency Range @ SWR ≤ 1.5	140 - 160 MHz	155 - 175 MHz
Impedance	50 Ω	
Radiation (H-plane) beamwidth @ -3 dB	100°	
Radiation (E-plane) beamwidth @ -3 dB	65°	
Front to back ratio	≥ 16 dB	
Polarization	Linear Vertical or Horizontal	
Gain	6.35 dBd - 8.5 dBi	
Max Power (CW) @ 30°C	200 Watts	
Grounding Protection	All metal parts are DC-grounded, the inner conductor shows a DC short	
Connector	N-female with rubber protection cap	

### Mechanical Data

Materials	Anodized 6063-T5 Aluminium, EPDM rubber, thermoplastic UV stabilized, Chromed Brass	
Wind Load @ 150 km/h	147 N	141 N
Wind Resistance	140 Km/h; 87 mi/h	140 Km/h; 87 mi/h
Wind Surface	0.119 m <sup>2</sup> ; 1.27 ft <sup>2</sup>	0.114 m <sup>2</sup> ; 1.22 ft <sup>2</sup>
Dimensions W x H (approx.)	1600 x 1085 mm; 5.2 x 3.6 in	1600 x 985 mm; 5.2 x 3.2 ft
Turning radius (approx.)	1540 mm; 5.05 in	1530 mm; 5.02 ft
Weight (approx.)	2070 gr; 4.5 lb	2015 gr; 4.4 lb
Operating temperature	-40° C to +60° C	
Mounting Mast	∅ 35 - 52 mm; 1.4 - 2.1 in	
Boom / Dipole / Element Diameter	∅ 32 mm; 1.25 in / ∅ 24 mm; 0.95 in / ∅ 12 mm; 0.5 in	



## MOUNTING INSTRUCTIONS

Correct mounting for horizontal polarization

Correct mounting for vertical polarization

**Fig.1**

		LR	L1	L2	DR	D1	D2
<b>WY 140-4N</b>	(mm)	1080	820	740	373	290	583
	(in)	42.5	32.3	29.1	14.7	11.4	23.0
<b>WY 155-4N</b>	(mm)	980	740	670	373	290	583
	(in)	38.6	29.1	26.4	14.7	11.4	23.0

**If mounted for vertical polarization place the draining hole at the bottom.**

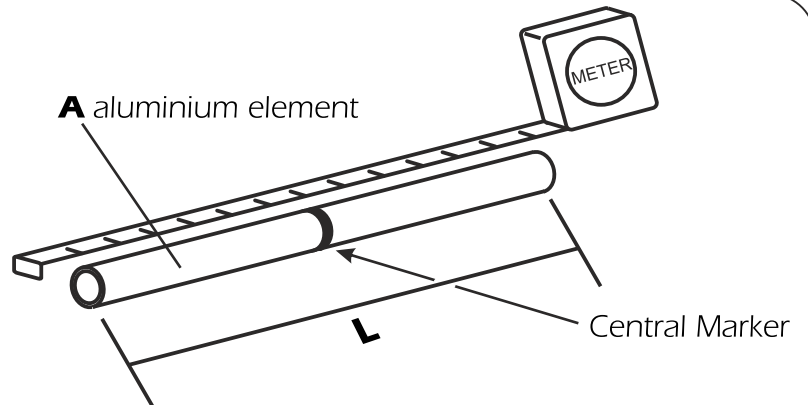
### Element Mounting

1) By means of a meter measure the aluminium elements **A** and position them in the plastic support **B** of the boom according to **fig.1**.

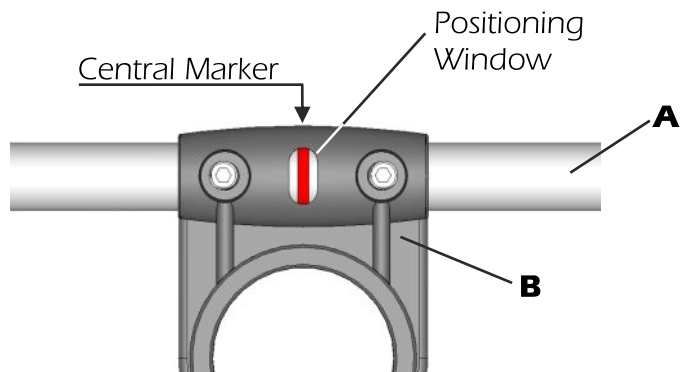
2) Place the reference marker of the aluminium element **A** in the centre of the plastic support **B** (see **fig. 3**) and lock the screws **C** by the supplied key **D** (**fig. 4**). When the screws touch the aluminium tubes you can finally lock them turning for 1.5 turns.

**Warning: do not exceed 1.5 turns. The plastic support threads could be damaged.**

3) Insert the plastic caps **E** on the aluminium elements **A** (see **fig. 4**)



**Fig.2**

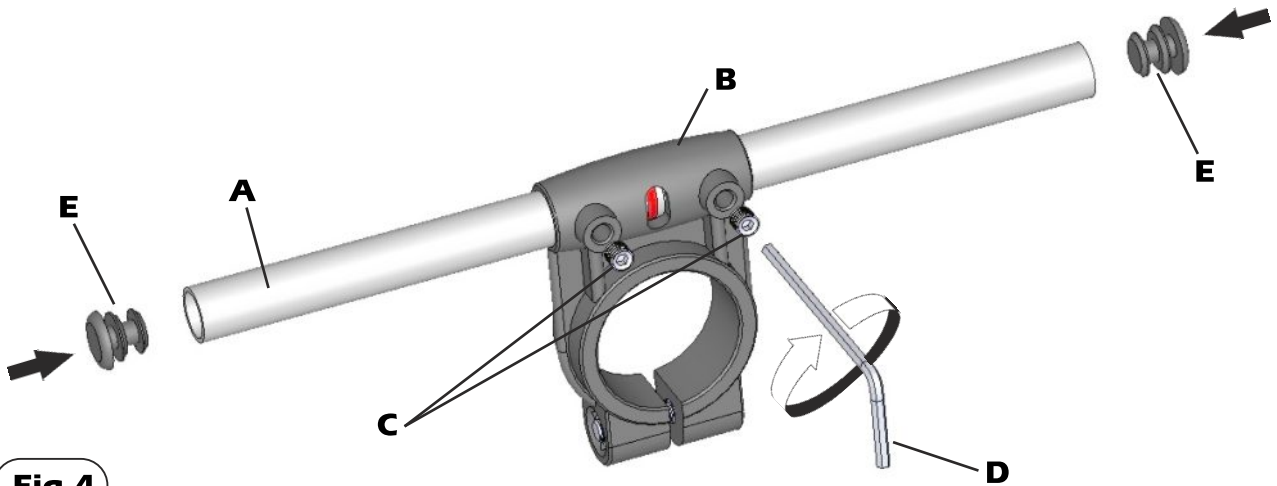


**Fig.3**

#### Part list

Q.ty	Description
1	<b>A)</b> Aluminum tubes
2	<b>C)</b> M5x6 Hexagon socket set screw
1	<b>D)</b> 2.5mm Hexagonal key
2	<b>E)</b> Plastic cap

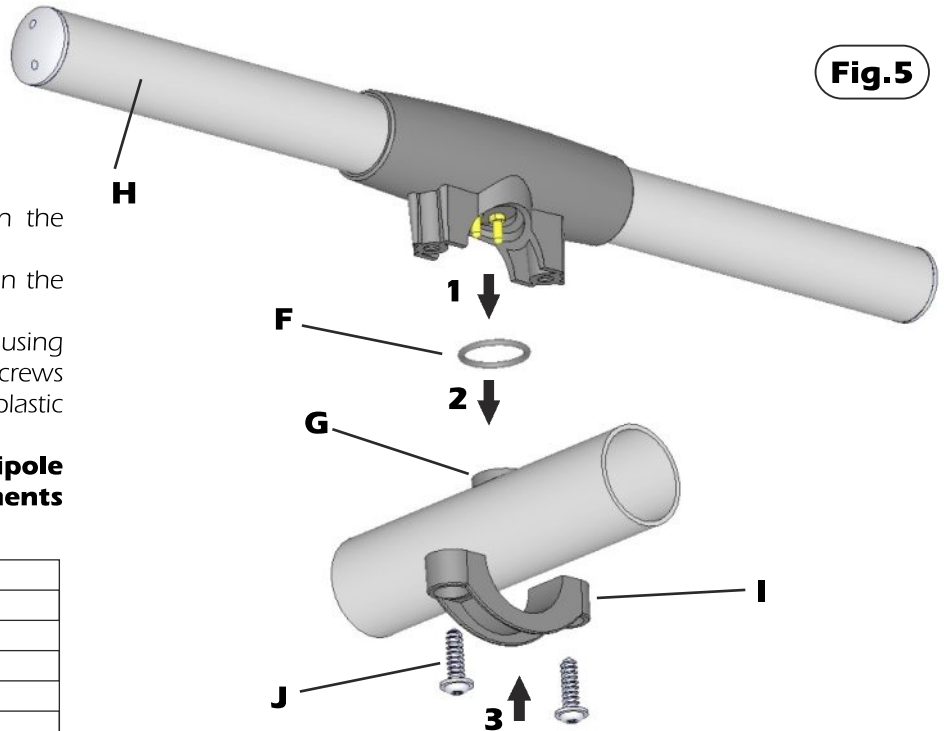
## MOUNTING INSTRUCTIONS



**Fig.4**

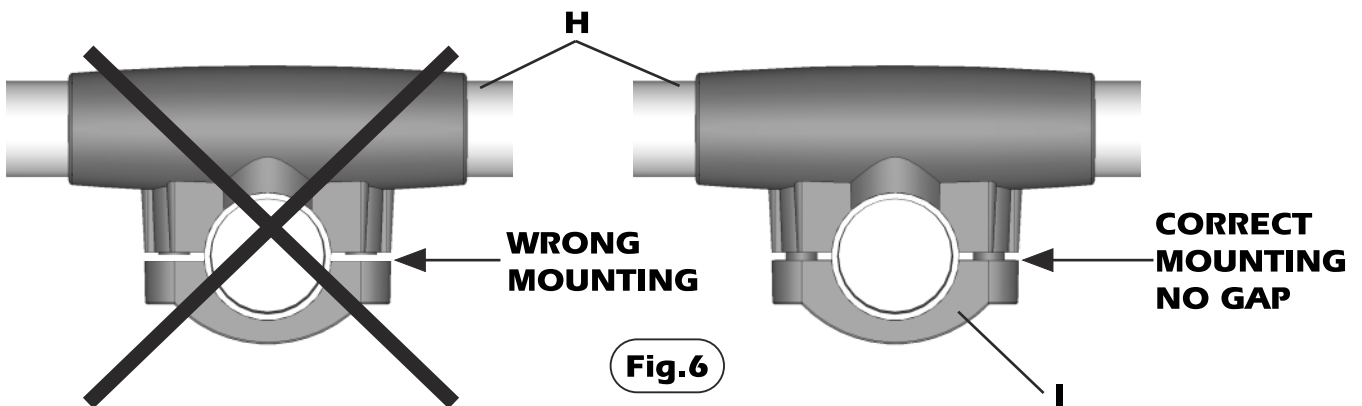
### Dipole mounting

- 1) Place the O-ring gasket **F** on the dipole connector **G**. (See **Fig.5**)
  - 2) Insert the antenna's dipole **H** in the dipole connector **G**
  - 3) Fix the antenna's dipole **H** by using the plastic fixing clamp **I** and the screws **J**. Lock the screws to well fix the plastic parts to avoid any gap (see **Fig.6**)
- Remark: the antenna's dipole must be aligned to the elements**



**Fig.5**

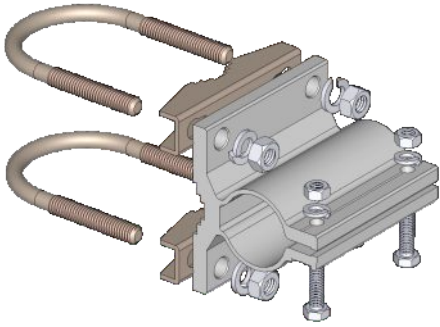
Part list	
Q.ty	Description
1	<b>F</b> ) O-ring gasket
1	<b>H</b> ) Antenna's dipole
1	<b>I</b> ) Plastic fixing clamp
2	<b>J</b> ) Tapping Screws for plastic



**Fig.6**

## MOUNTING INSTRUCTIONS

### Standard Mounting Bracket

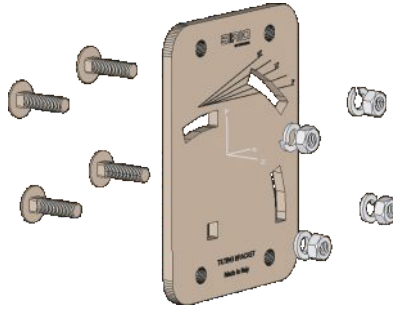


**Spare parts: p/n SA197**

Materials: extruded aluminum  
 Hardware: stainless & zinc plated steel  
 Dimensions : 80 x 76 x 65 mm  
 Weight: 460 gr

Part list	
Q.ty	Description
1	Extruded aluminium bracket
2	Steel bracket
2	M8x200 U-bolt
4	M8 Grower washer
4	M8 Hexagonal nut
2	M6x20 Hexagonal head screw
2	M6 Grower washer
2	M6 Hexagonal nut

### Tilting Bracket\*

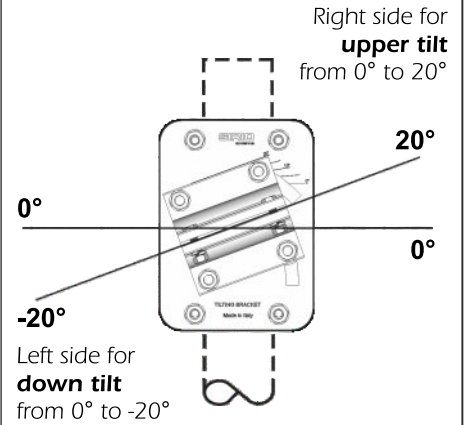


**Order p/n: 2519803.00**

Materials & Hardware: zinc plated steel  
 Dimensions: 110 x 150 x 6 mm.  
 Weight: 800 gr

Part list	
Q.ty	Description
1	10x150x6 Tilting bracket
4	M8x25 Spheric head screw
4	M8 Grower washer
4	M8 Hexagonal nut

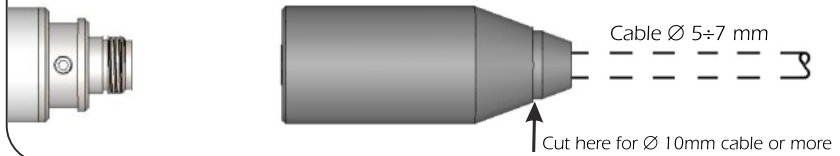
### Mounting example



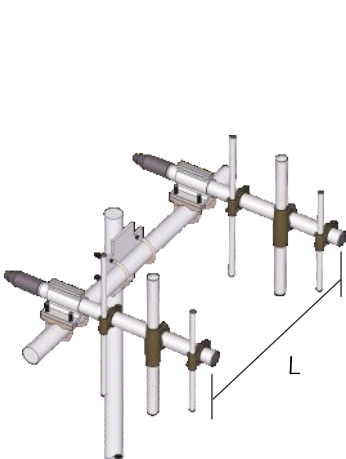
\* Optional (not included).

### Connector protection cap

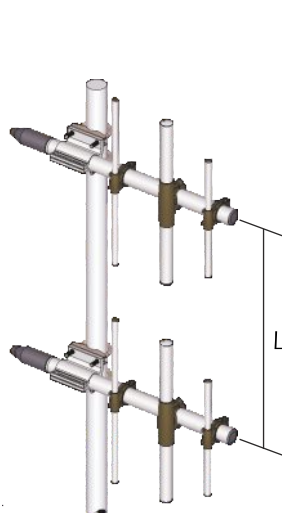
Spare parts: p/n TE06416



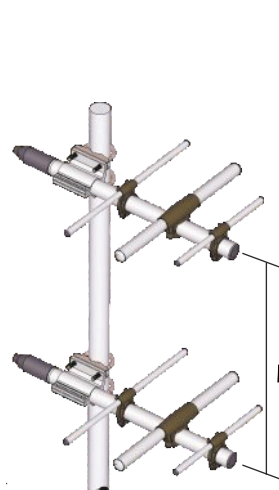
## Stacking and Baying distance



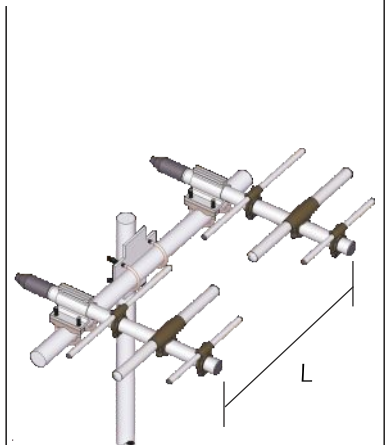
Vertical polarization  
(Bayed)  
**L= 1.1 m; 3.6 ft**



Vertical polarization  
(Stacked)  
**L= 1.6 m; 5.25 ft**



Horizontal polarization  
(Stacked)  
**L= 1.1 m; 3.6 ft**



Horizontal polarization  
(Bayed)  
**L= 1.6 m; 5.25 ft**