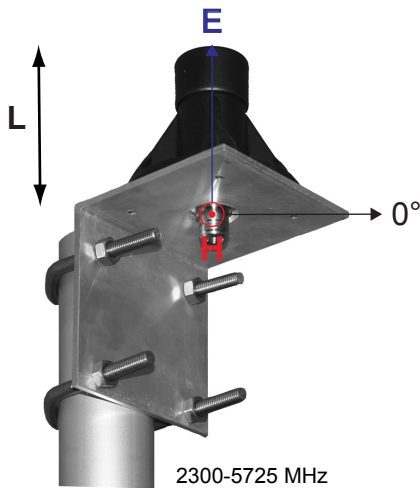
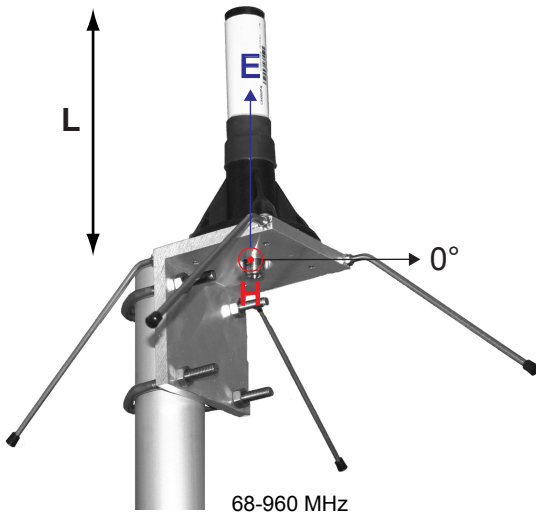


ComAnt[®] Communications Antennas

FREQUENCY INDEPENDENT DATA



Description: omnidirectional ground plane
 Frequency: 68-72 MHz, 73-77 MHz, 77-81 MHz, 83-87 MHz, 135-145 MHz, 144-156 MHz, 154-166 MHz, 163-177 MHz, 336-364 MHz, 380-430 MHz, 430-475 MHz, 830-890 MHz, 880-960 MHz, 2300-2500 MHz, 5150-5725 MHz

Impedance: 50 ohm
 Gain: 2 dBi

H -3 dB: 87°
 E -3 dB: 0 dB
 F/B: 0 dB

Polarization: vertical
 Connector: N-female/TNC-female

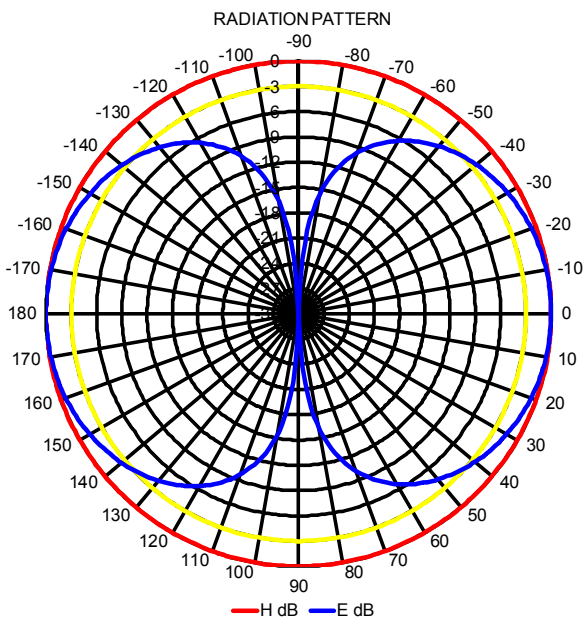
VSWR: < 1.5

Radome: UV resistant FG, white / PP, black
 PU foam filling

Radiator: copper
 Attachment: Ø 35-60 mm, aluminium alloy bracket, stainless steel V-bolts and self-locking nuts

Lightning protection: DC-short circuited, -grounded
 Temperature: -40°C - +80°C
 IP: 67

- combination of durability, light weight and low wind load
- radome enclosed radiator
- IP67 proof construction
- all electromechanics moulded inside of closed cell PU foam
- UV protected glass fibre radome
- DC shorted and grounded feed point
- integrated impedance compensation



RoHS
Compliant

CompleTech
ComAnt[®]-antennas by CompleTech, Finland

CAGP OMNIDIRECTIONAL GROUND PLANE

CAGP