

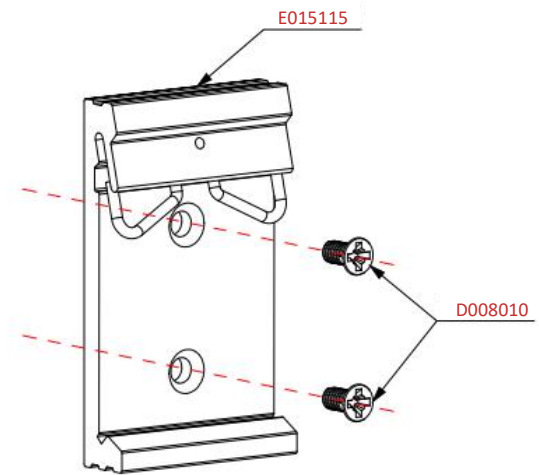
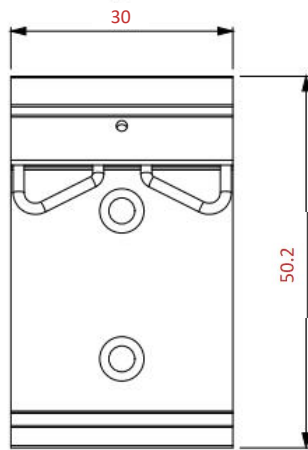
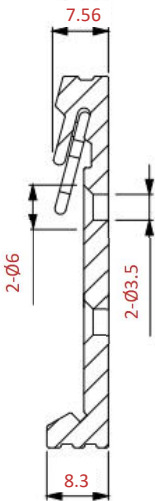
DIN RAIL MOUNTING KIT

PN: S050006



Technical Data

Mounting Type	Din Rail
Material	Aluminium, Stainless Steel
Weight	17.18 g
Screw Included	M3x6 Countersunk Screw, 2 pcs
Dimensions	30.0*50.2*8.3 mm
RoHS Compliant	√
Related Products	R2010, R2011, R2110, R5020



Unit:mm