



## TECHNICAL SPECIFICATIONS

# AirLink® LX40



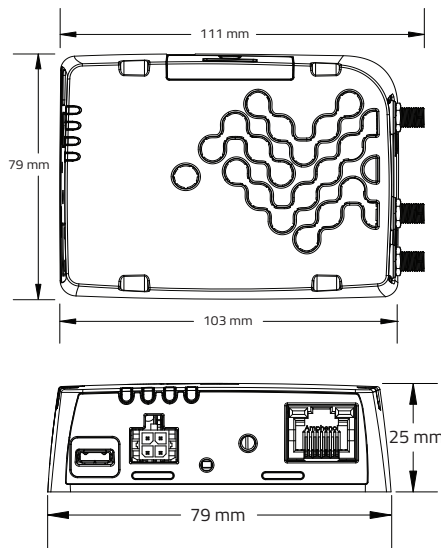
	North America	EMEA	Australia & New Zealand	Global
	<b>LTE</b>			<b>LTE-M/NB-IoT</b>
<b>LTE CATEGORY</b>	Cat-4 (WP7610)	Cat-4 (WP7607)	Cat-4 (WP7609)	Cat-M1/NB1 (WP7702)
<b>Peak D/L</b>	Up to 150 Mbps	Up to 150 Mbps	Up to 150 Mbps	Cat-M1: 300kbps Cat-NB1: 27kbps
<b>Peak U/L</b>	Up to 50 Mbps	Up to 50 Mbps	Up to 50 Mbps	Cat-M1: 375kbps Cat-NB1: 65kbps
<b>4G LTE Frequency Bands</b>	1900(B2), AWS(B4), 850(B5), 700(B12), 700(B13), 700(B14), 700(B17), 1700(B66)	2100(B1), 1800(B3), 2600(B7), 900(B8), 800(B20), 700(B28)	2100(B1), 1800(B3), 850(B5), 2600(B7), 900(B8), 700(B28)	2100(B1), 1900(B2), 1800(B3), AWS(B4), 850(B5), 900(B8), 700(B12), 700(B13), 700(B17), 850(B18), 850(B19), 800(B20), 850(B26), 700(B28)
<b>3G WCDMA/HSPA+ Frequency Bands</b>	1900(B2), AWS(B4), 850(B5)	2100(B1), 900(B8)	2100(B1), 850(B5), 900(B8)	
<b>2G GSM/GPRS Frequency Bands</b>		900, 1800		850, 900, 1800, 1900
<b>APPROVALS</b>				
<b>Regulatory</b>	FCC, IC, PTCRB	GCF, CE	GCF, RCM	PTCRB, FCC, GCF, IC, CE
<b>Carrier</b>	Verizon, AT&T		Planned: Telstra	Verizon (Cat-M1), AT&T (Cat-M1)
<b>PART NUMBERS</b>	1104579 1104573 (Wi-Fi)	1104181 1104182 (Wi-Fi)	1104183 1104184 (Wi-Fi)	1104180

	Specification		Specification
<b>HOST INTERFACES</b>	<ul style="list-style-type: none"> <li>1 Gigabit RJ-45 Ethernet Port (POE)</li> <li>USB 2.0 Micro-B Connector</li> <li>2 SMA antenna connectors (cellular, diversity)</li> <li>1 SMA for LTE-M version</li> <li>1 RP SMA antenna connector (Wi-Fi)</li> </ul>	<b>SECURITY</b>	<ul style="list-style-type: none"> <li>Remote Authentication (LDAP, RADIUS, TACACS+) DMZ</li> <li>Inbound and Outbound Port filtering</li> <li>Inbound and Outbound Trusted IP</li> <li>MAC Address Filtering</li> <li>PCI compatible</li> <li>Secure Firmware Update</li> </ul>
<b>WI-FI (Optional)</b>	<ul style="list-style-type: none"> <li>Dual Band 2.4/5GHz Wi-Fi</li> <li>802.11 b/g/n/ac (Wave2 Client Mode)</li> <li>Support for 10 clients, WPA2 Enterprise</li> <li>Output power 16dBm per channel</li> <li>Access Point or Client Mode (Wi-Fi as WAN)</li> <li>Single SSID Support</li> <li>Captive Portal</li> </ul>	<b>NETWORK MANAGEMENT</b>	<ul style="list-style-type: none"> <li>Secure mobile network &amp; asset management application available in the cloud or licensed platform in the enterprise data center</li> <li>Fleet wide firmware upgrade delivery</li> <li>Router configuration and template management</li> <li>Router staging over the air and local Ethernet connection</li> <li>Over-the-air software and radio module firmware updates</li> <li>Device Configuration Templates</li> <li>Configurable monitoring and alerting</li> <li>Remote provisioning and airtime activation (where applicable)</li> </ul>
<b>INPUT/OUTPUT</b>	<ul style="list-style-type: none"> <li>Configurable I/O pin on power connector</li> <li>Digital Inputs: ON Voltage: 2.7 to 36 VDC</li> <li>Configurable Pull-ups for dry contact input</li> <li>Digital Open Collector Output &gt; sinking 500 mA</li> <li>Analog Inputs: 0.5-36VDC (range selectable)</li> </ul>	<b>EVENTS ENGINE</b>	<ul style="list-style-type: none"> <li>Custom event triggers and reports</li> <li>Configurable interface, no programming</li> <li>Event Types: Digital Input, Network Parameters, Data Usage, Timer, Power, Device Temperature and Voltage Report Types: RAP, SMS, Email, SNMP Trap, TCP (Binary, XML, CSV)</li> <li>Event Actions: Drive Relay Output</li> </ul>
<b>LAN (ETHERNET/USB)</b>	<ul style="list-style-type: none"> <li>DHCP Server</li> <li>IP Passthrough</li> <li>VLAN</li> <li>Host Interface Watchdog</li> <li>PPPoE</li> </ul>		

# TECHNICAL SPECIFICATIONS

	Specification
<b>NETWORK AND ROUTING</b>	Network Address Translation (NAT) Ethernet WAN Port Forwarding Verizon PNTM NEMO/DMNR IPv6 Gateway VRRP Policy Routing Reliable Static Route Dynamic DNS
<b>VPN INTERFACES</b>	IPsec, GRE, and OpenVPN Client Up to 5 concurrent tunnels Split Tunnel Dead Peer Detection (DPD)
<b>ROUTER MANAGEMENT INTERFACES</b>	Local web user interface AT Command Line Interface (Telnet/SSH) SNMP SMS Commands
<b>APPLICATION FRAMEWORK</b>	ALEOS Application Framework (AAF) LUA Scripting Language
<b>POWER</b>	Input Voltage: 7 to 36 VDC Low voltage disconnect to prevent battery drain Built-in protection against voltage transients Power-over-Ethernet (PoE) powered device Ignition Sense with time delay shutdown
<b>DIMENSIONS</b>	103 mm (111 mm including connectors) x 79 mm x 25 mm 4.1 in (4.4 in including connectors) x 3.1 in x 1.0 in

\*For carrier specific band support please refer to the hardware user guide.



	Specification
<b>ENVIRONMENTAL</b>	Operating Temperature: -30°C to +65°C / -22°F to +149°F (+60°C / +140°F when using PoE) Storage Temperature: -40°C to +85°C / -40°F to +185°F Humidity: 90% RH @ 60°C Military Spec ML-STD-810G conformance to shock, vibration, thermal shock, and humidity IP21 rated ingress protection
<b>INDUSTRY CERTIFICATIONS</b>	Safety: IECCE Certification Bodies Scheme (CB Scheme), UL 60950 Vehicle Usage: E-Mark (UN ECE Regulation 10.04), ISO7637-2, SAE J1455 (Shock, Vibration, Electrical) Environmental: RoHS2, REACH, WEEE Environmental: RoHS2, REACH, WEEE
<b>SUPPORT AND WARRANTY</b>	Includes 1st Year AirLink Complete: <ul style="list-style-type: none"> <li>AirLink Management Service (ALMS)</li> <li>Direct 24/7 Technical Support</li> <li>3-year standard warranty; optional 2-year warranty extension</li> </ul> 1-day Accelerated Hardware Replacement available through participating resellers
<b>ACCESSORIES</b>	In the box: DC Power Cable and Quick Start Guide Other Accessories (sold separately): 2000579 AC Adapter, 12VDC 6001221 DIN Rail Bracket 6001110 Cellular Paddle Antenna 6001111 Wi-Fi 2.4/5Hz Paddle Antenna 6001231 Panel Antenna (LPWA)

## Related AirLink Products

### AIRLINK DEVICE MANAGEMENT SOLUTIONS

#### AirLink Management Service (ALMS)



- Secure, Cloud-based network and asset management
- Remotely deploy, configure, monitor and manage AirLink devices
- Carrier-grade, high availability, secure, global infrastructure

#### AirLink Manager / Mobility Manager (AM/AMM)



- Deployable in the enterprise data center (on-premises) or in the cloud
- Advanced, end-to-end network and asset management for both fixed and mobile networks.
- Remote, real-time configuration, control and troubleshooting of AirLink devices

### AIRLINK VPN APPLIANCE

#### AirLink Connection Manager



- VPN appliance built from the ground up for Airlink routers & gateways
- Simplify deployment and management of your VPN solution, extending the enterprise to the network edge for fixed and mobile endpoints
- Carrier agnostic – ACM doesn't require fixed and/or public IP
- Compatible with FIPS 140-2, and always-on VPN capability

#### About Sierra Wireless

Sierra Wireless (NASDAQ: SWIR) (TSX: SW) is the leading IoT solutions provider that combines devices, network and software to unlock value in the connected economy. Companies globally are adopting IoT to improve operational efficiency, create better customer experiences, improve their business models and create new revenue streams. Whether it's a solution to help a business securely connect edge devices to the cloud, or a software/API solution to help manage processes associated with billions of connected assets, or a platform to extract real-time data to make the best business decisions, Sierra Wireless will work with you to create the right industry-specific solution for your next IoT endeavor. Sierra Wireless has more than 1,300 employees globally and operates R&D centers in North America, Europe and Asia.

For more information, visit [www.sierrawireless.com](http://www.sierrawireless.com).