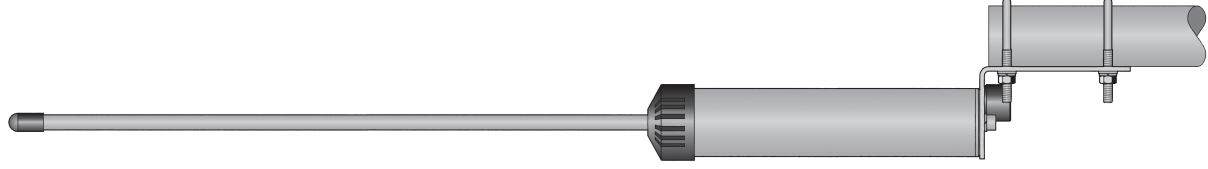
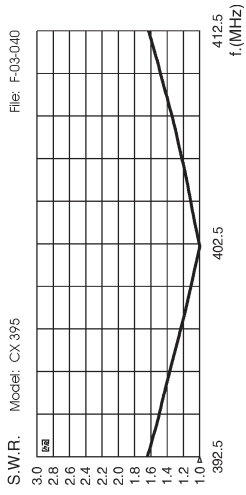


CX 70cm SERIES

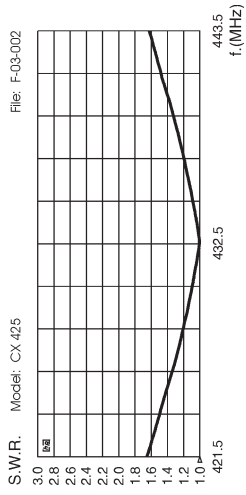
UHF Base Station Antennas 380...485 MHz



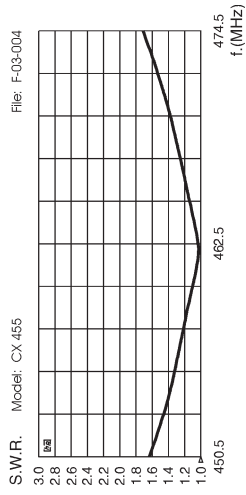
TYPICAL S.W.R. RESPONSE



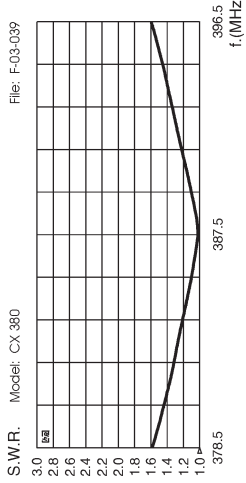
TYPICAL S.W.R. RESPONSE



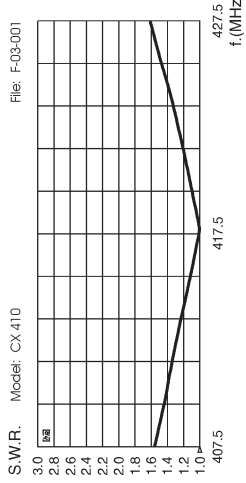
TYPICAL S.W.R. RESPONSE



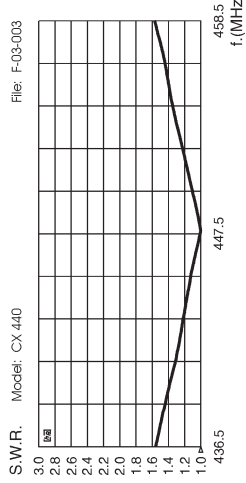
TYPICAL S.W.R. RESPONSE



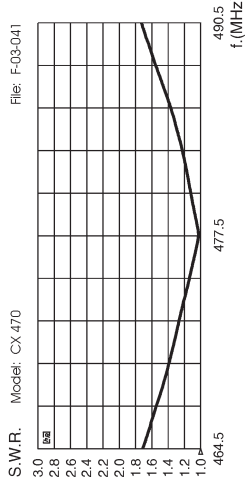
TYPICAL S.W.R. RESPONSE



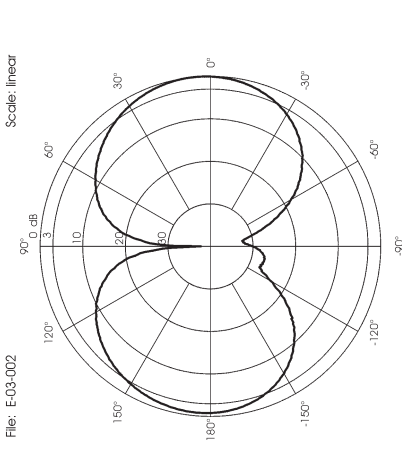
TYPICAL S.W.R. RESPONSE



TYPICAL S.W.R. RESPONSE



TYPICAL RADIATION PATTERN in E-plane at mid-band



Installation Manual

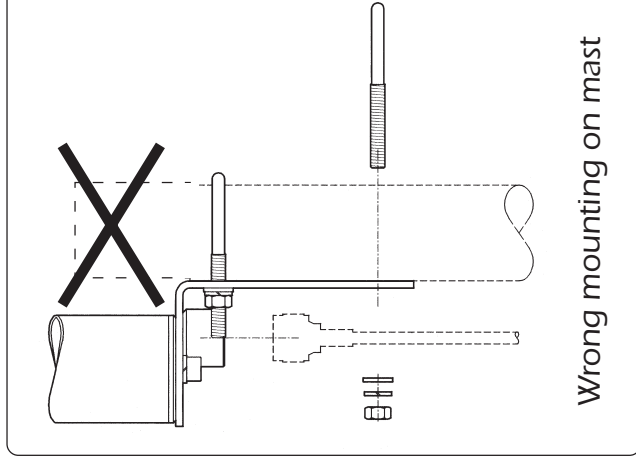
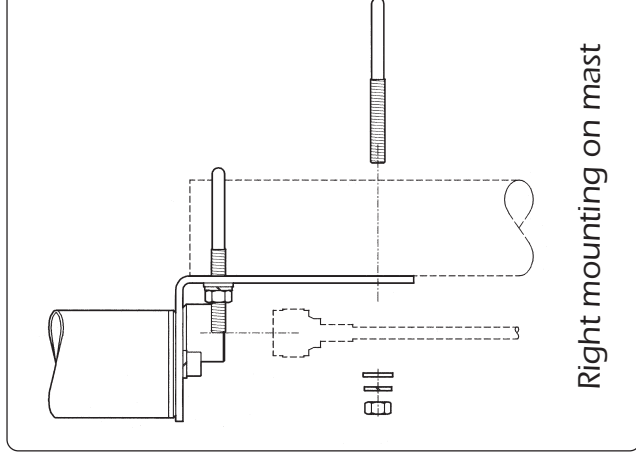
DESCRIPTION

3/4 λ UHF antennas for base station service made of hi-quality materials to get the maximum efficiency and the best performance. It is completely manufactured with aluminium tubes and nylon for its great robustness and it is supplied with a solid steel bracket for an easy and safe installation everywhere. Its Gamma Match feed makes it earthed for a perfect protection against the discharges. In the mentioned range of frequencies, no adjustments are required. Simple and strong it is particularly recommended for a professional use.

SPECIFICATIONS

Electrical Data	
Type	3/4 λ Coax. J-Pole
Frequency Range @ SWR ≤ 1.5	CX 380 380 - 395 MHz
	CX 395 395 - 410 MHz
	CX 410 410 - 425 MHz
	CX 425 425 - 440 MHz
	CX 440 440 - 455 MHz
	CX 455 455 - 470 MHz
	CX 470 470 - 485 MHz
Impedance	50 Ω Unbalanced
Radiation (H-Plane)	360° Omnidirectional
Radiation (E-Plane)	Beamwidth at -3 dB = 60°
Polarization	Vertical
Gain	2 dBd - 4.15 dBi
Bandwidth @ SWR 2.0	CX 380 ≥ 26.7 MHz, CX 395 ≥ 28.7 MHz
	CX 410 ≥ 30.8 MHz, CX 524 ≥ 30.7 MHz
	CX 440 ≥ 33.5 MHz, CX 455 ≥ 32 MHz
	CX 470 ≥ 34.6 MHz
SWR @ res. freq.	≤ 1.2
Max Power	200 Watts
Feed System / Position	Gamma Match / Base
Connector	N-Female
Mechanical Data	
Materials	Nylon, Brass, Steel, Aluminium
Wind Load / Resistance	25 N at 150 Km/h / 180 Km/h
Wind Surface	0.02 m ²
Height (approx.)	from 558 mm to 665 mm
Weight (approx.)	450 gr
Mounting Mast	Ø 35-42 mm

MOUNTING INSTRUCTIONS



HARDWARE PARTS LIST	
Qty	Descriptions
n.2	U-bolts
n.4	M6 flat washer
n.4	M6 lock washer
n.4	M6 hex nut