



Tango 20A

GPS & GLONASS Puck Antenna



Key Features

- GPS & GLONASS
- Rubber seal gasket
- 28dB LNA Gain

General Description

The Tango 20A is a GPS & GLONASS dual system antenna. It comes with a rubber seal gasket for greater weatherproof protection and is well suited to the outdoor environments.

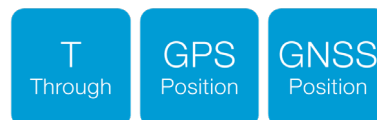
The antenna is supported by the LNA which has a 28dB gain to uplift the dielectric antenna signal.

Common applications are commercial vehicle roofs, and exterior vending machines where the screw mount allows the antenna to be fixed in place.

Alternative cable lengths or connector types can be specified for volume orders.

Additional Considerations

- Compact size
- Vandal resistant





Tango 20A

GPS & GLONASS Puck Antenna

Dielectric Antenna

Frequency Range:	1575-1615 MHz
VSWR:	<1.5
Polarization:	RHCP
Gain:	2 dBic (Zenith)
Impedance:	50 Ohm
Axial Ratio	3 dB (max)

Mechanical Specifications

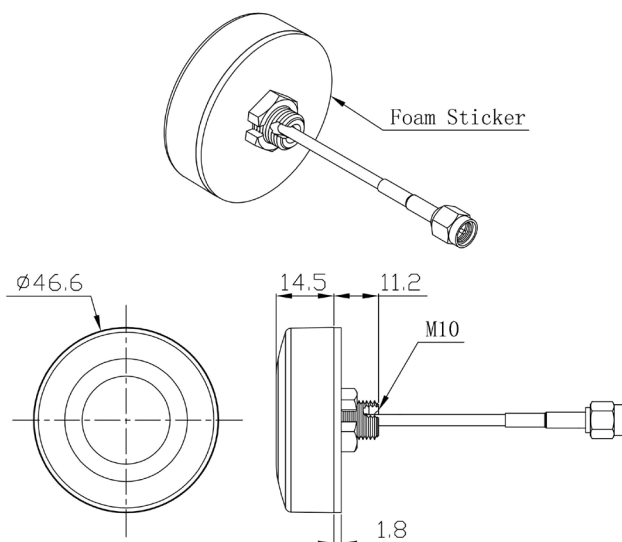
Dimensions:	∅ 46.6 x H14.5mm
Cable:	RG174
Connector:	SMA Male
Material:	ABS
Mounting Method:	Adhesive

GPS Antenna

Peak Gain:	28 dB
Noise Figure:	<1.5
Filter Insertion Loss:	<3 dB
Ex-band Attenuation:	35 dB@CF + 50 MHz 50 dB@CF - 100 MHz
Supply Voltage:	2.2-5V DC
Current Consumption	16-32mA
VSWR	<2.0

Environmental Specifications

Operating Temperature:	-40 - +85°C
Relative Humidity:	Up to 95%

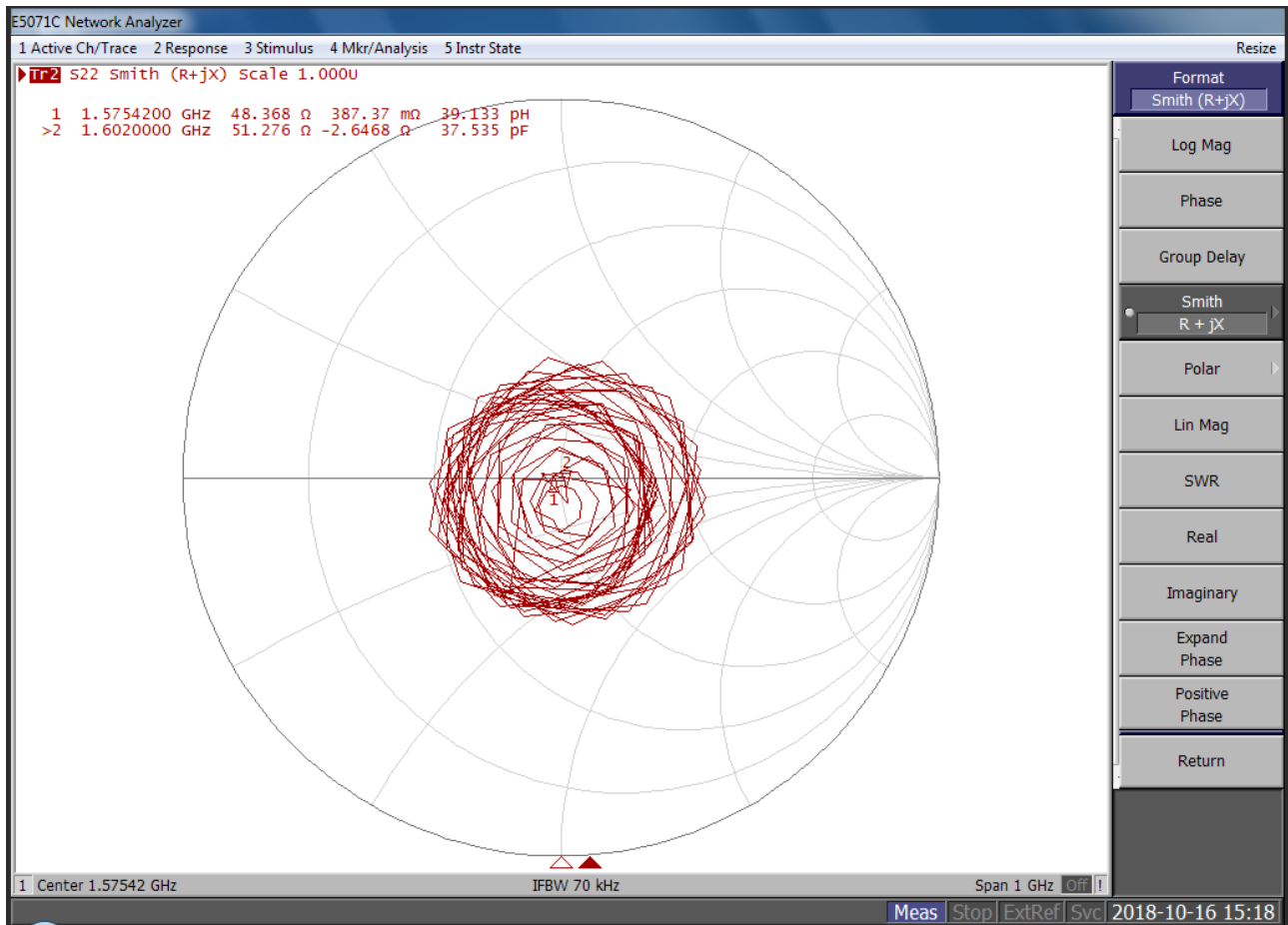




Tango 20A

GPS & GLONASS Puck Antenna

Smith Chart



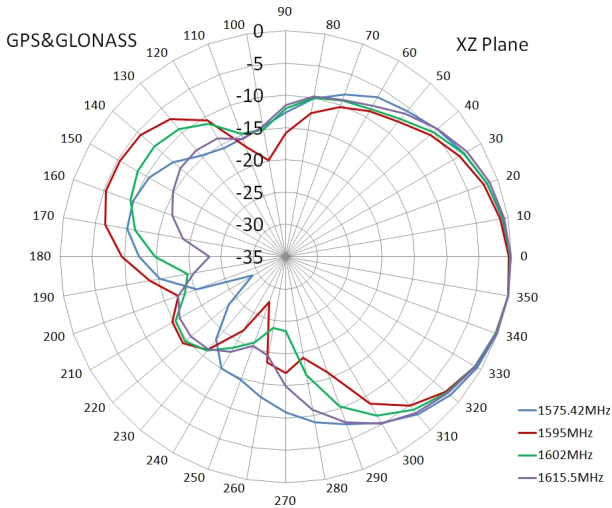


Tango 20A

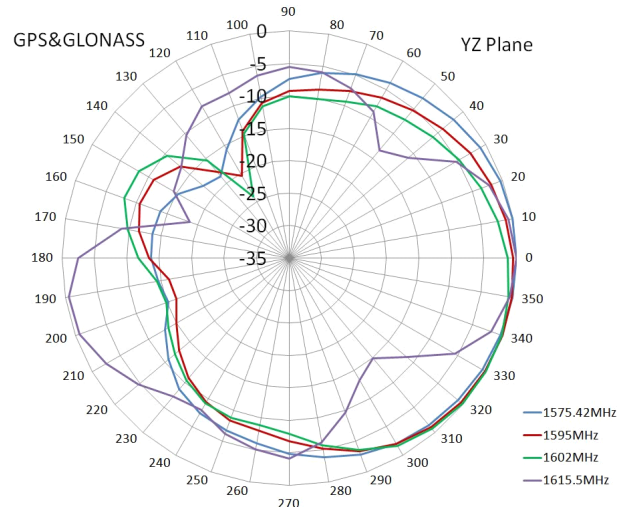
GPS & GLONASS Puck Antenna

Radiation Patterns

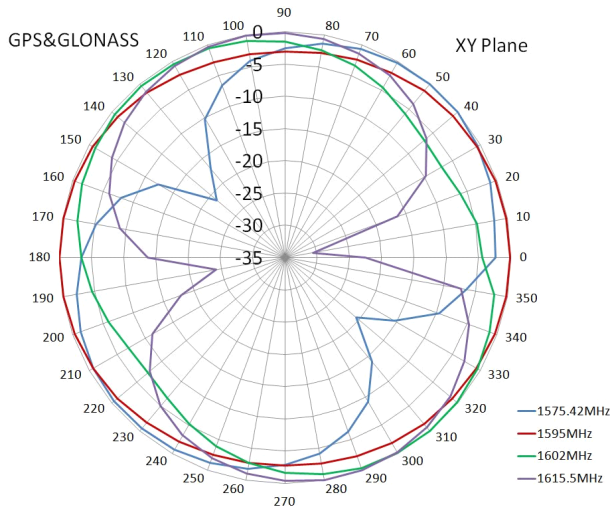
XZ Plane



YZ Plane



XY Plane



Ordering Details

Part Number

Description

TANGO20A/3M/SMAM/S/S/26 GPS & GLONASS Puck Antenna