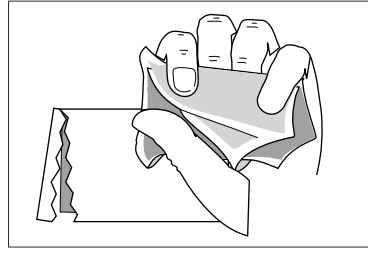
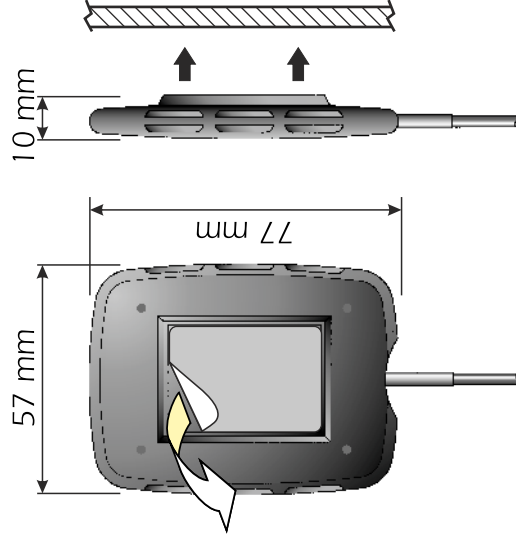


MOUNTING INSTRUCTIONS

1: Choose the best mounting position **far away from any metallic parts**



2: Moreover, we suggest to clean carefully the surface and to proceed with the installation at a temperature of 20°C or higher.



3: Remove the protective film avoiding to touch the adhesive tape with your hands. Proceed by sticking the antenna on the window and pressing uniformly on its whole surface to get a perfect adhesion.

INGLASS LOW PROFILE LTE & WLAN

Multi band Antenna

MAIN FEATURES

- Very low profile multi band antenna
- Frequency range: from 800 MHz
- Multi bands antenna for: LTE, GSM dual, UMTS, WiMAX, WiFi (IEEE802.11b/g/h/p), V2X systems
- Installation: adhesive mount for glass, plastic box, wall, wood surfaces
(NOT SUITABLE FOR METALLIC SURFACES)
- 3M adhesive tape for permanent fitting



SPECIFICATIONS

Electrical Data

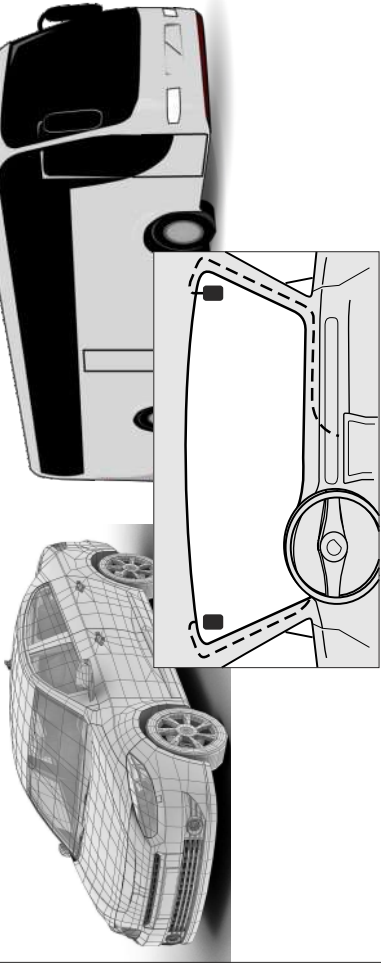
Type: Indoor Adhesive Antenna
 Frequency Range: 800 - 810 MHz @ SWR ≤ 2.6
 810 - 960 MHz @ SWR ≤ 2
 1.71 - 5.925 GHz @ SWR ≤ 2.2
 Impedance: 50 Ω Unbalanced
 Radiation: Omnidirectional
 Polarization: Vertical
 Gain: 0 dBd, 2.14 dBi all bands
 Max Power: 10 Watts from 800 to 2700 MHz
 6 Watts from 2.7 to 3.8 GHz
 5 Watts from 3.8 to 5.925 GHz
 SMA Male
 Connector type: RG 174 A/U / 3 m (other length on request)
 Cable Type / Length:

Mechanical Data

Materials: PCB, Thermoplastic, Copper
 Dimensions (approx.): 57 x 77 x 10 mm
 Weight (approx.): 70 gr
 Mounting: Adhesive tape. Suitable for «not metallic» surfaces

SUITABLE INSTALLATIONS

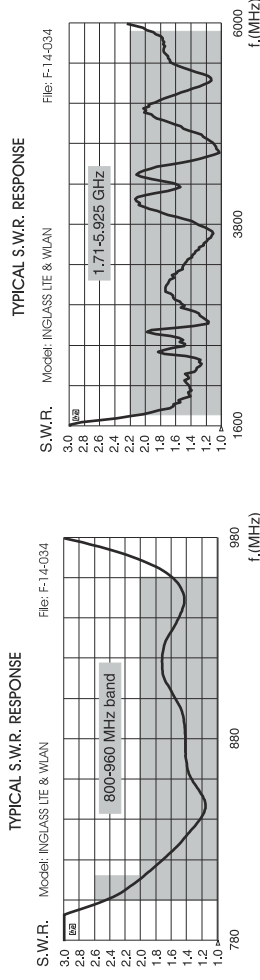
Vehicles glass mount



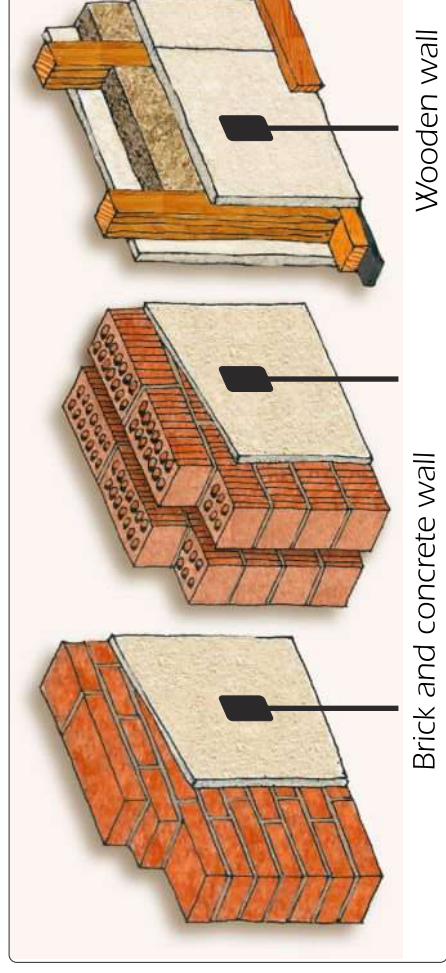
Plastic boxes



Windows glasses



SWR test effected with 10cm cable



Brick and concrete wall

Wooden wall