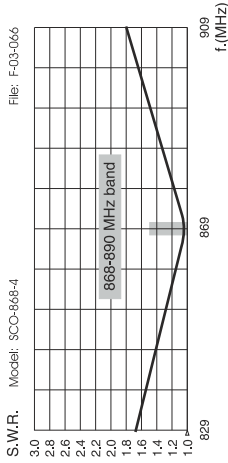


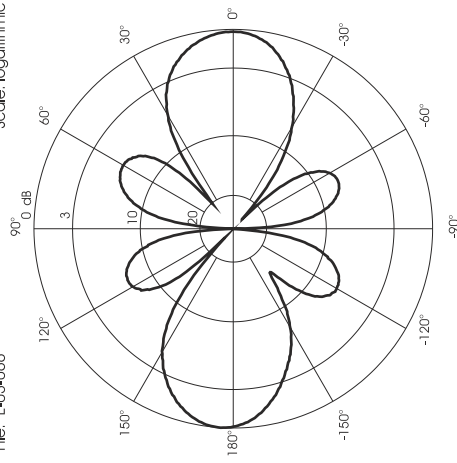
SCO-868-4

TYPICAL S.W.R. RESPONSE

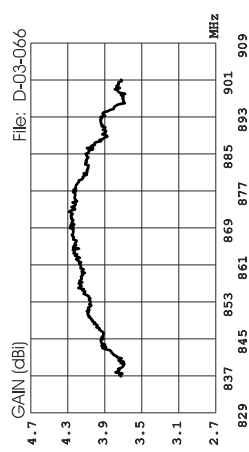


TYPICAL RADIATION PATTERN at 868 MHz

File: E-03-066 Scale: logarithmic

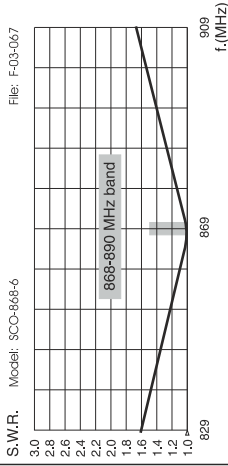


TYPICAL GAIN DIAGRAM vs FREQUENCY



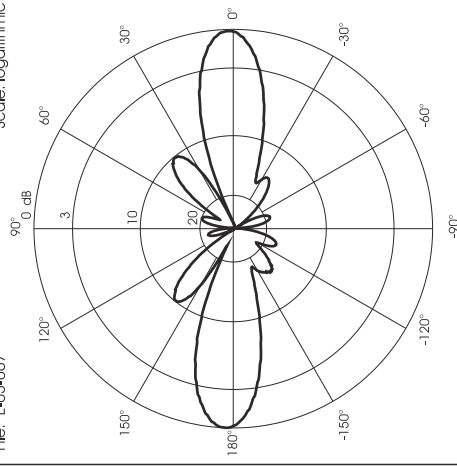
SCO-868-6

TYPICAL S.W.R. RESPONSE

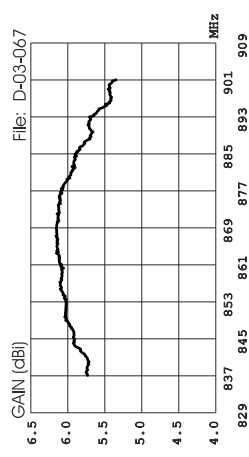


TYPICAL RADIATION PATTERN at 868 MHz

File: E-03-067 Scale: logarithmic



TYPICAL GAIN DIAGRAM vs FREQUENCY



SCO-868-4 SCO-868-6

Base Station Antennas ISM 868 band



SCO-868-4

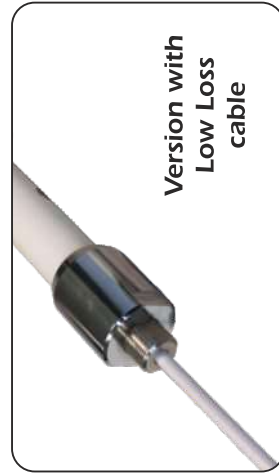
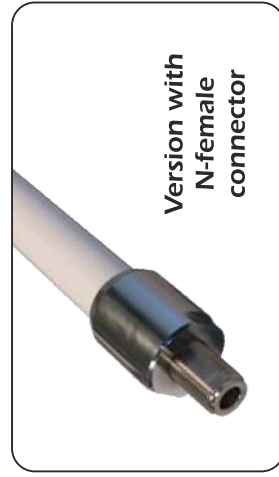
SCO-868-6

DESCRIPTION

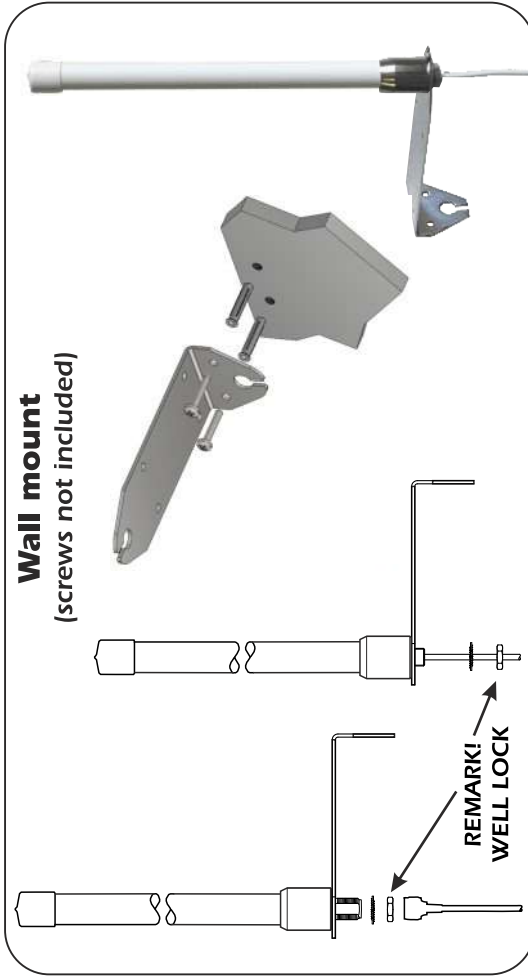
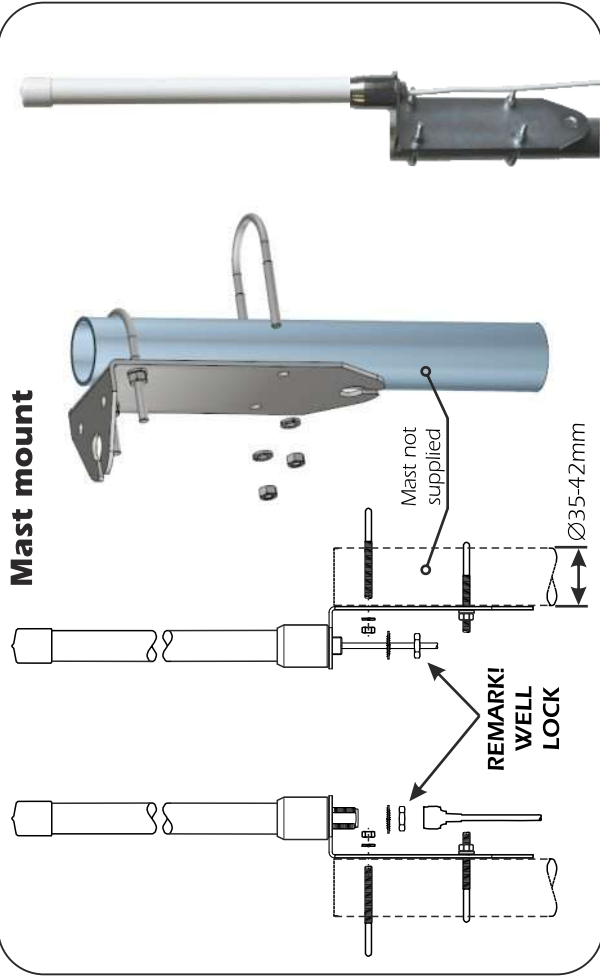
Base station antennas conceived for ISM system working on 868-870 MHz. The radiant collinear dipoles are made of PCB and protected by a fiberglass tube. SCO-868-4/-6 are available in 2 versions: N-f connector (fitted at the bottom) or supplied with 5m Low Loss cable directly connected and SMA-male (other type on request).

SPECIFICATIONS

| Electrical Data | SCO-868-4 N-f connector | SCO-868-6 N-f connector | SCO-868-4 cable version | SCO-868-6 cable version |
|---------------------------------------|--|--|--|--|
| Type | 2 x 1/2 λ. Collinear | 3 x 1/2 λ. Collinear | 2 x 1/2 λ. Collinear | 3 x 1/2 λ. Collinear |
| Frequency Range @ SWR ≤ 1.5 | 868 - 870 MHz (ISM 868 system) | | | |
| Impedance | 50 Ω | | | |
| Radiation (H-plane) | 360° omnidirectional | | | |
| Radiation (E-plane) Beamwidth @ -3 dB | 32° | 22° | 32° | 22° |
| Radiation angle deg. | 0° | | | |
| Polarization | Linear Vertical | | | |
| Gain | 2.2 dBd, 4.3 dBi | 4.1 dBd, 6.2 dBi | 2.2 dBd, 4.3 dBi | 4.1 dBd, 6.2 dBi |
| Max Power (CW) @ 30° C | 20 Watts | | | |
| Cable Type / Length | / White Low Loss cable / 5m, 16.4 ft | | | |
| Connector | N-female, gold plated central pin SMA-male, other type on request | | | |
| Mechanical Data | | | | |
| Housing & Radome Material | Fiberglass, PCB, Chromed Brass | | | |
| Bracket & Hardware Material | Galvanized steel | | | |
| Wind Load @ 150 Km/h, 93 mi/h | 35 N | 41 N | 35 N | 41 N |
| Wind Resistance | 140 Km/h, 87 mi/h | 120 Km/h, 75 mi/h | 140 Km/h, 87 mi/h | 120 Km/h, 75 mi/h |
| Wind Surface | 0.0243 m ² , 0.25 ft ² | 0.03 m ² , 0.32 ft ² | 0.0243 m ² , 0.25 ft ² | 0.03 m ² , 0.32 ft ² |
| Height (approx.) | 500 mm, 1.65 ft | 770 mm, 2.5 ft | 500 mm, 1.65 ft | 770 mm, 2.5 ft |
| Weight (without bracket, approx.) | 280 gr. 0.6 lb | 330 gr. 0.7 lb | 440 gr. 1 lb | 490 gr. 1.1 lb |
| Operating Temperature | -40 °C to +80 °C | | | |
| Installation type | M3 bracket: Mast: Ø 35-42 mm, Ø 1.4-1.65 inch with U-bolt Wall: with screws (not included) | | | |



MOUNTING INSTRUCTIONS



| BRACKET | |
|----------------|------------------|
| re-order code: | ST07404 |
| Materials: | galvanized steel |
| Dimensions: | 195x60x70 mm |
| Weight: | 345 g |

| U-BOLTS | |
|----------------|-----------------------|
| re-order code: | SA008 |
| Q.ty | Description |
| 2 | M6 U-bolt |
| 4 | M6 Exagonal nut |
| 4 | M6 Flat washer |
| 4 | M6 Spring lock washer |

| LOCK NUT | |
|----------------|------------------------|
| re-order code: | SA266 |
| Q.ty | Description |
| 1 | 19mm Exagonal nut |
| 1 | M16 Spring lock washer |