

RAYM2-24-58

MiMo Wifi Adhesive Mount Antenna

26/08/2016 v12

2x2 MiMo WiFi Adhesive Mount Antenna

Dashboard or Windshield Mount

2x2 MiMo WiFi

Suitable for M3 Category vehicles (UNECE Reg 118)



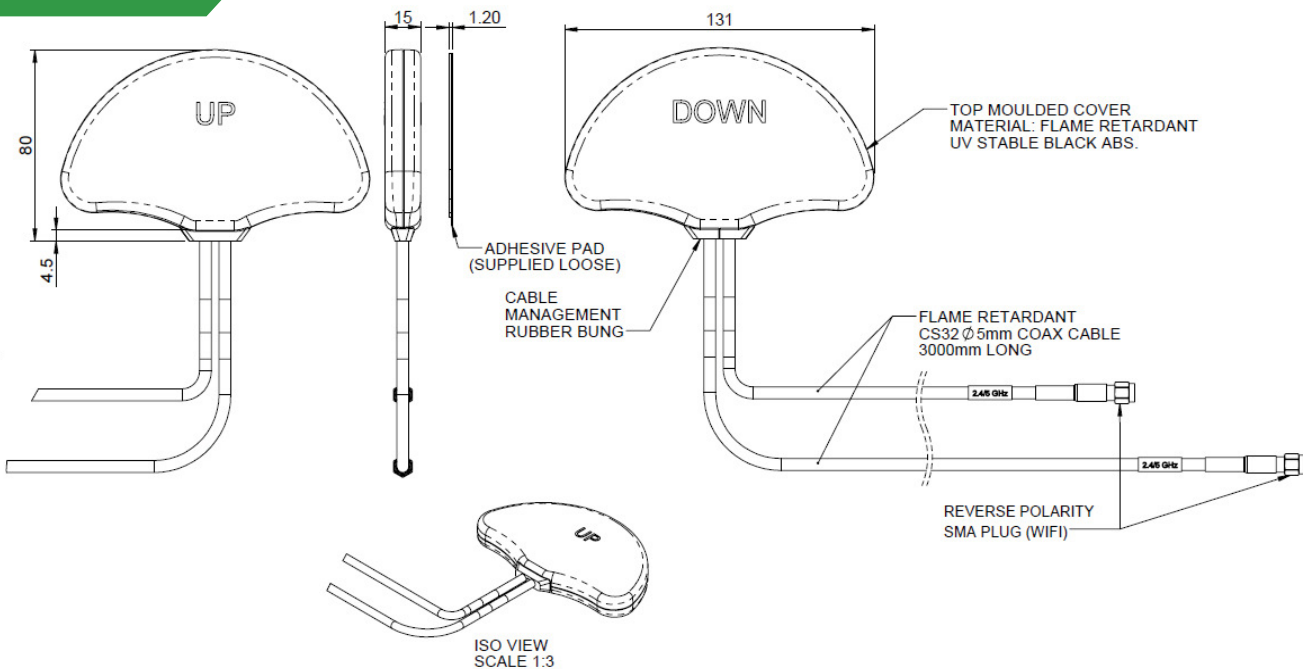
The RAYM2-24-58 range of telematics antennas offer an easy-to-fit product for in-vehicle WiFi. The housing incorporates two dual band WiFi 2.4/5.0GHz elements for MiMo operation.

Meeting the requirements of UNECE Regulation R 118, the antenna is suitable for use in M3 Category vehicles (Transportation). The antenna housing is UV resistant and flame retardant, while the 3m length integrated coax cables are flame retardant, low smoke specification.

The antenna offers easy and quick installation on/under the dashboard or on the windshield using the supplied acrylic adhesive pad *

* Performance may change depending on mounting position/surface. The product is not suitable for mounting on conductive surfaces or metalized windows.

Technical Drawing



PANORAMA ANTENNAS

Panorama Antennas Ltd
Frogmore, London, SW18 1HF, United Kingdom

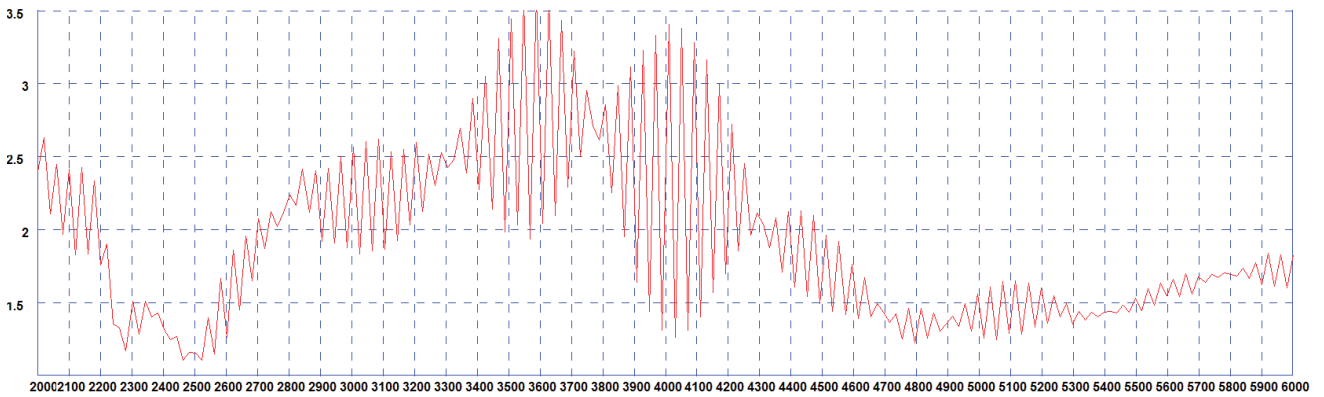
Waiver: The data given above is indicative of the performance of the product/s under particular conditions and does not imply a guarantee of performance. These specifications are subject to change without notice.

Copyright © Panorama Antennas Ltd. All rights reserved.

T: +44 (0)20 8877 4444
F: +44 (0)20 8877 4477
E: sales@panorama-antennas.com
www.panorama-antennas.com

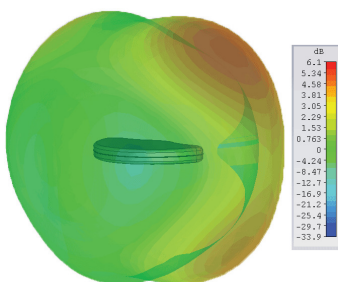
Part No.		RAYM2-24-58
Electrical Data		
Frequency Range (MHz)	Elements 1 & 2	2.4/4.9-6.0 GHz
Peak Gain: Isotropic †	Elements 1&2: 2.4GHz	6dBi
	Elements 1&2: 4.9-6.0GHz	7dBi
Pattern	Omni-directional	
Nominal Impedance	50Ω	
Max input power (W)	20	
Mechanical Data		
Dimensions (mm)	Height	15 (0.6")
	Length	131 (5.16")
	Depth	84.5 (3.33")
Operating Temp (°C)	-30° / +70°C (-30° / 158°F)	
Material	UV Stable Flame Retardant ABS Plastic	
Colour	Black	
Typical Weight (g)	330	
Mounting Data		
Fixing	Acrylic adhesive pad	
Cable Data		
Elements 1 & 2: Wifi	Cable Type	CS32 (Meets UN118.01)
	Diameter (mm)	5 (0.2")
	Length (m)	3 (9.8')
	Termination	SMA Plug (Rev Pol)

Typical VSWR - Element 1&2*

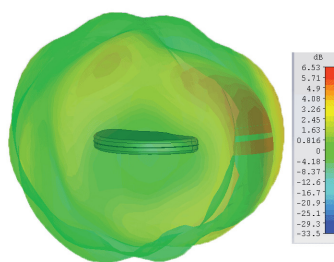


*VSWR measured mounted on a glass sheet with 3m of CS32 cable

Element 2: Typical 3D Pattern (2.4GHz)



Element 2: Typical 3D Pattern (5.4GHz)



† Element 1 & 2 Patterns simulated in CST Microwave Studio in free space excluding cable loss.

† Peak gain does not include cable attenuation