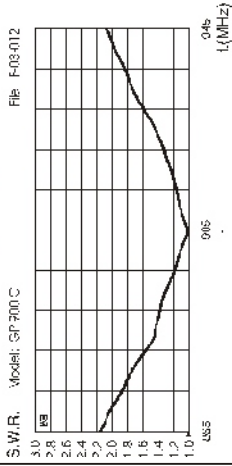


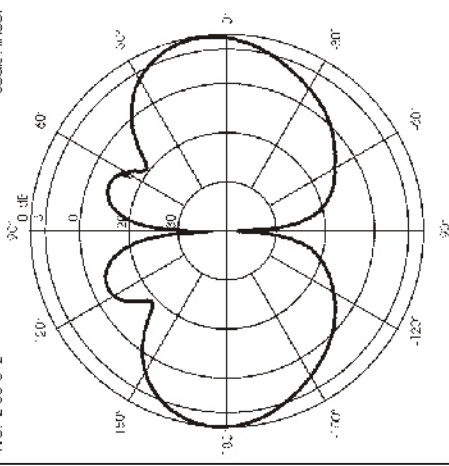
GP 900 C

TYPICAL S.W.R. RESPONSE



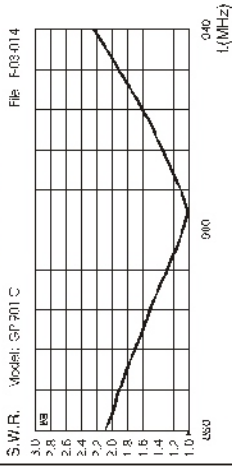
TYPICAL RADIATION PATTERN in E-plane at mid-band

File: E-03-012 Scale: linear



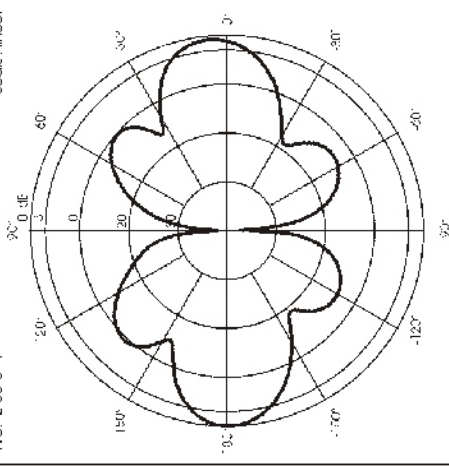
GP 901 C

TYPICAL S.W.R. RESPONSE



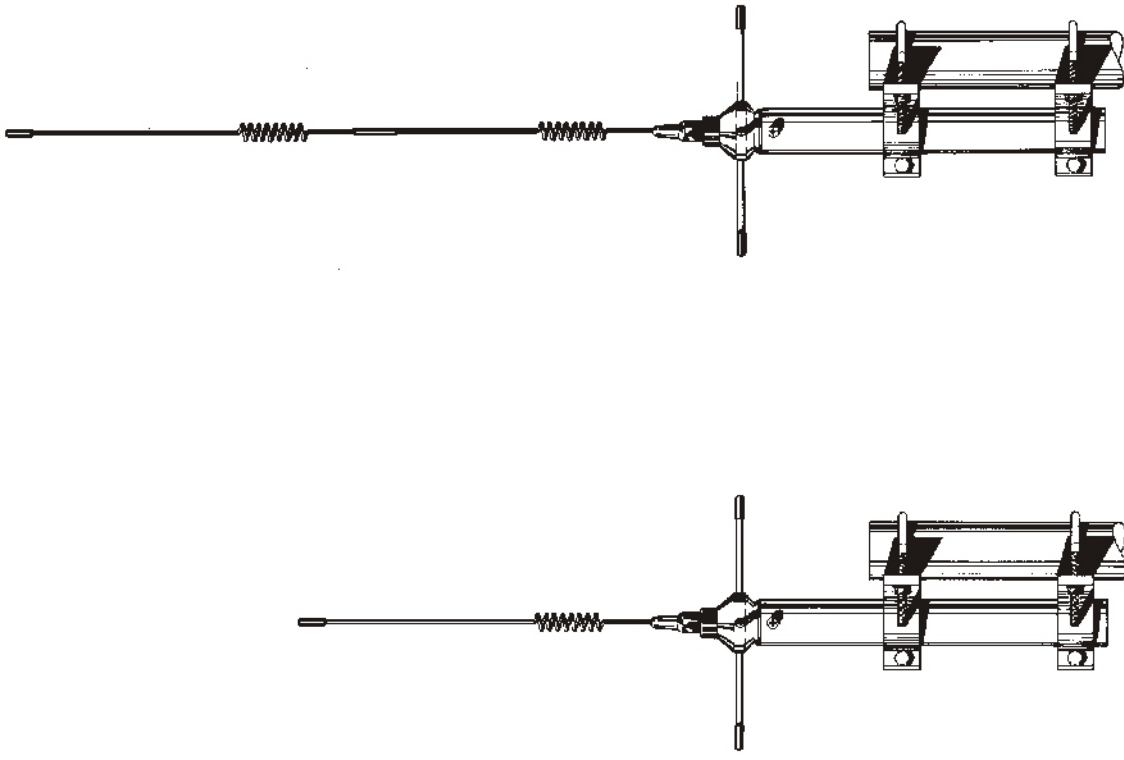
TYPICAL RADIATION PATTERN in E-plane at mid-band

File: E-03-014 Scale: linear



GP 900 C

UHF Base Station Antenna 870 - 960 MHz



GP 900 C

GP 901 C

Installation Manual

DESCRIPTION

UHF colinear Ground Plane antenna suitable for the base station service covering the frequency range of 870 - 960 MHz. The main whip and the radials are made of 1777 PH stainless steel and its base is of chromed brass to get the best robustness. Easy to fit, it is suitable for a handy installation everywhere.

SPECIFICATIONS

Electrical Data

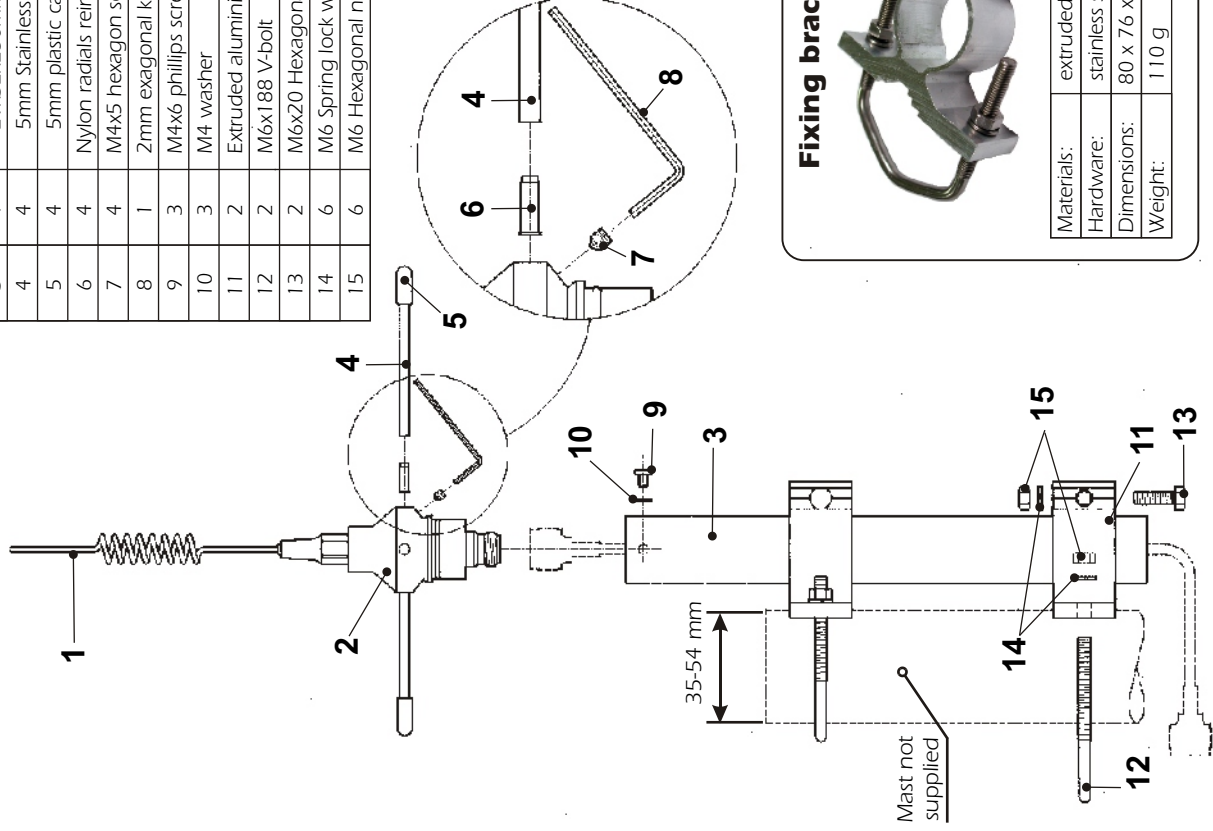
Type	: GP 900 C	1/4 + 1/2	Colinear
Frequency Range	: GP 901 C	1/4 + 2x1/2	Colinear
Impedance	: 870-960 MHz		
Polarization	: 50		
Max Gain	: Linear Vertical		
	: GP 900 C	3 dBd, 5.14 dBi	
	: GP 901 C	6 dBd, 8.14 dBi	
3 dB Beamwidth Vertical	: GP 900 C	40° @ 915 MHz	
	: GP 901 C	25° @ 915 MHz	
Beamwidth Horizontal	: 360° omnidirectional		
Radiation Angle deg.	: GP 900 C	7°	
	: GP 901 C	6°	
Max Power	: 50 Watts (CW) @ 30° C		
Connector type	: N-female, gold plated central pin		

Mechanical Data

Housing Materials	: Stainless Steel, Aluminium, Chromed Brass
Wind Load / Resistance	: GP 900 C 13N @ 150 Km/h / 180 Km/h
	: GP 901 C 23N @ 150 Km/h / 180 Km/h
Wind Surface	: 0.015 m ²
Height (approx.)	: GP 900 C 360 mm
	: GP 901 C 580 mm
Weight (approx.)	: GP 900 C 580 gr
	: GP 901 C 670 gr
Radial Length (approx.)	: 75 mm
Operating Temperature	: -40° C to 80° C
Mounting Mast	: 35-54 mm

MOUNTING INSTRUCTIONS

Pos	Q.ty	Description	Part list
1	1	Black stainless steel whip	
2	1	Chromed base	
3	1	29x32x250mm alu. tube	
4	4	5mm Stainless steel radials	
5	4	5mm plastic caps	
6	4	Nylon radials reinforce	
7	4	M4x5 hexagon socket set screw	
8	1	2mm exagonal key	
9	3	M4x6 phillips screws	
10	3	M4 washer	
11	2	Extruded aluminium bracket	
12	2	M6x188 V-bolt	
13	2	M6x20 Hexagonal head screw	
14	6	M6 Spring lock washer	
15	6	M6 Hexagonal nut	



Fixing bracket:



Materials:	extruded aluminium
Hardware:	stainless steel
Dimensions:	80 x 76 x 25 mm
Weight:	110 g