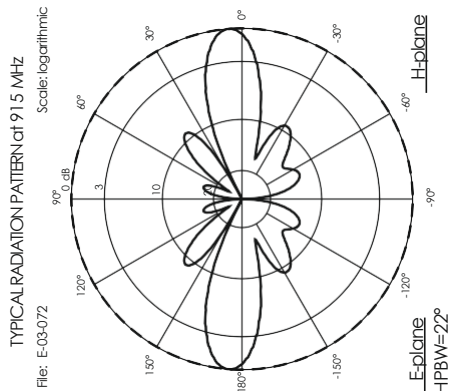
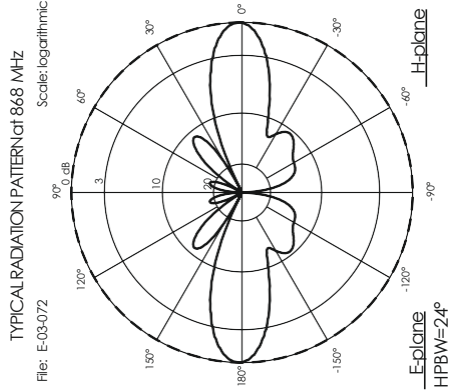
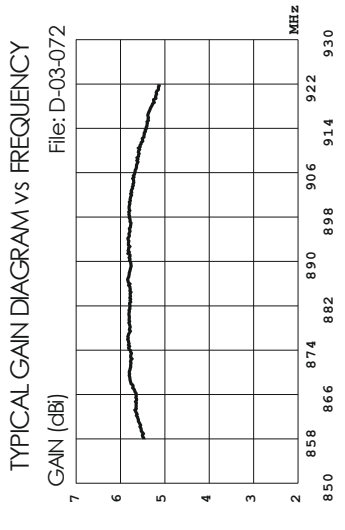
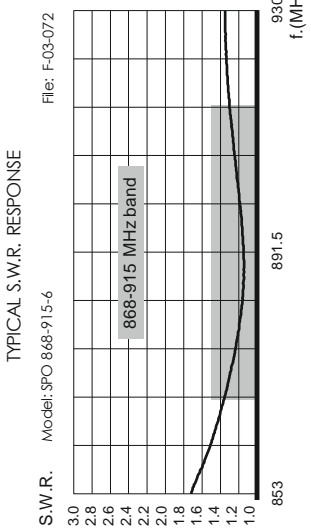


SPO 868-915-6

Base Station Antenna ISM LoRa 868 MHz & 915 MHz bands



DESCRIPTION

Base station antennas conceived for ISM LoRa systems working on 868 MHz & 915 MHz. The radiant colinear dipoles are made of PCB and protected by a strong fiberglass tube. SPO 868-915-6 are available in 2 versions: N-f connector (fitted at the bottom) or supplied with 5m Low Loss cable directly connected and SMA-male (other type on request).

SPECIFICATIONS

Electrical Data	SPO 868-915-6 N-f connector	SPO 868-915-6 cable version
Frequency Range@ SWR ≤ 1.5	3x 1/2λ Colinear 868- 915MHz	
Impedance	50 Ω	
Antenna detection DC resistance	on request	
Radiation (H-plane) Beamwidth@ -3 dB:	360° omnidirectional	
Radiation angle deg.	23°	
Polarization	0°	
Gain	Linear Vertical 3,7 dBi, 5,8 dBi	
Max Power (CW) @ 30°C	20 Watts	
Cable type / length	/ White Low Loss cable / 5m, 16.4ft	
Connector	N-female, g03p04tecent dipin SMA-male; other type on request	
Mechanical Data		
Housing & Radome Material	Fiberglass, PCB, Anodized aluminum, Nickel plated brass	
Bracket & Hardware Material	Aluminum, Stainless steel, Zinc plated steel	
Wind Load @ 150 km/h / 93 mi/h	36 N	
Wind Resistance	140 km/h, 87 mi/h	
Wind Surface	0.028 m², 0.3 ff	
Height (approx)	840 mm, 2.75 ft	
Weight (without bracket, approx)	460 gr, 1.9 lb	
Operating temperature	-40 °C to +80 °C	
Installation type	Mast: Ø 35-52 mm / 1.4-2.0 inch with U-bolt Wall: mounting screws (not included)	

Version with
N-female
connector

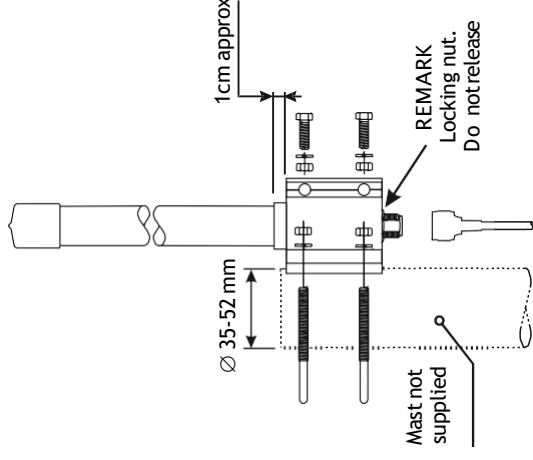


Version with
Low Loss
cable

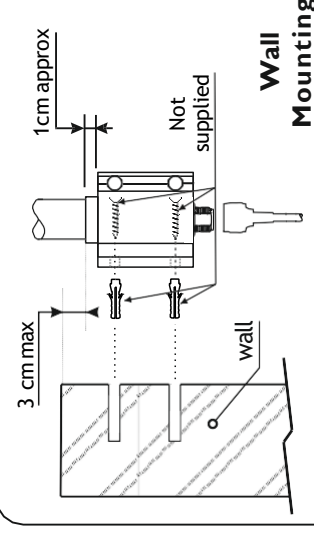
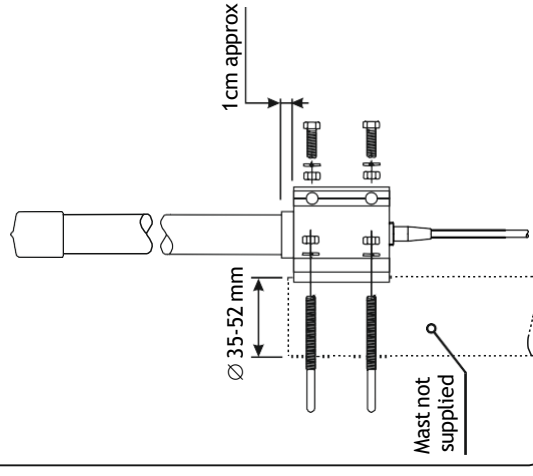


MOUNTING INSTRUCTIONS

SPO 868-915-6

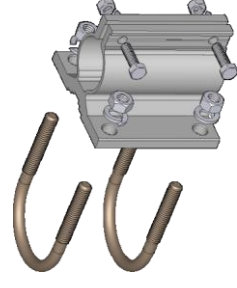


SPO 868-915-6 w/cable



Wall Mounting

Standard Mounting Bracket



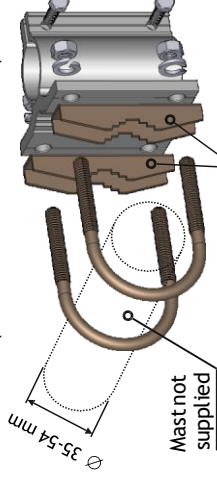
Spare parts: P/N SA285

Materials: extruded aluminum
Hardware: stainless & zinc plated steel
Dimensions : 80 x 76 x 65 mm
Weight: 363 gr

Q.ty	Description	Part list
1	Extruded aluminium bracket	
2	M8x200 U-bolt	
4	M8 Grower washer	
4	M8 Hexagonal nut	
2	M6x20 Hexagonal head screw	
2	M6 Grower washer	
2	M6 Hexagonal nut	

Optional Brackets

(For horizontal mast mount)



P/N SA286

Material: zinc plated steel
Dimensions : 2 pcs -80 x 18 x 16 mm
Weight: 88 gr

