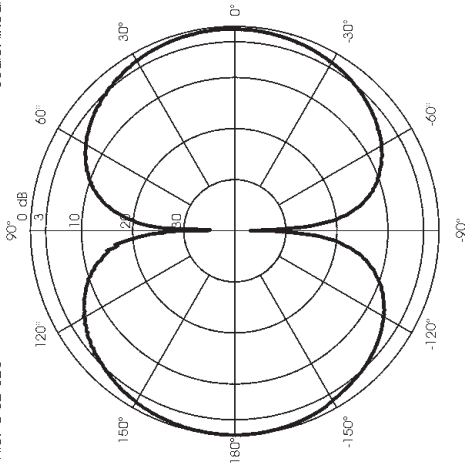
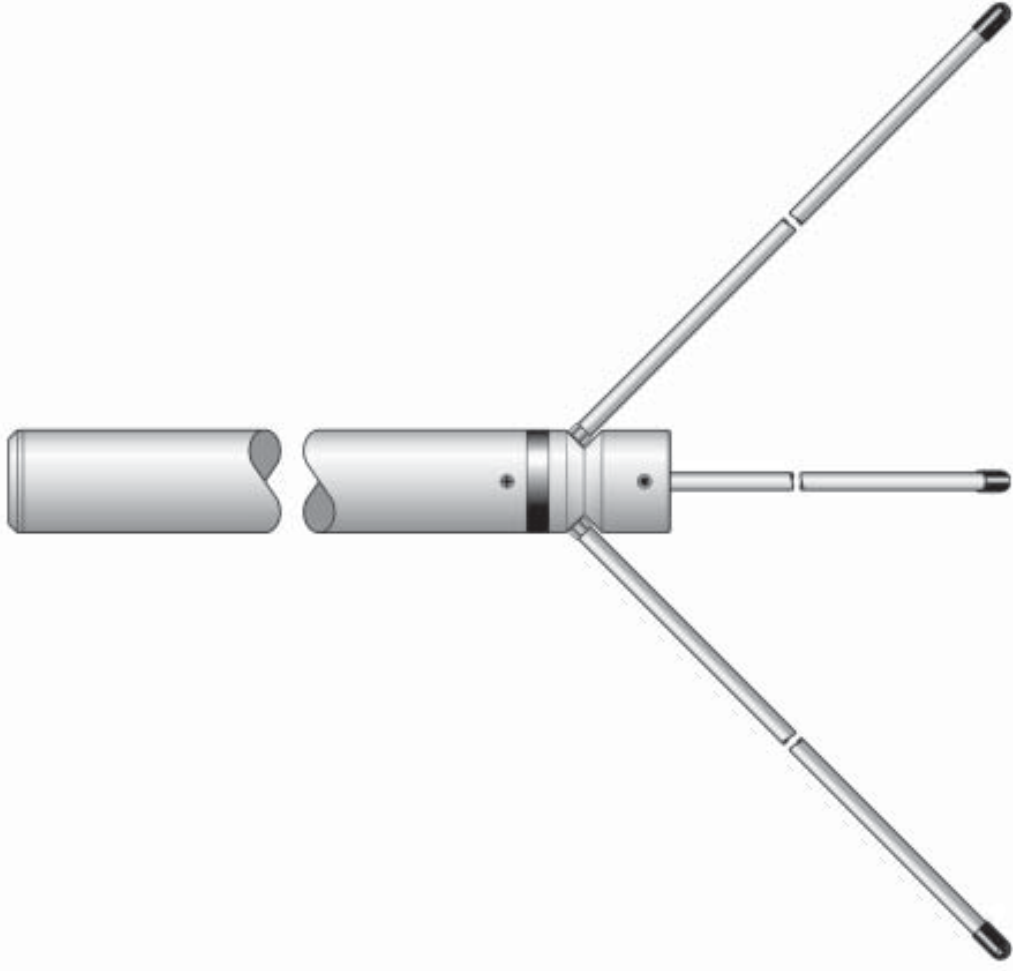


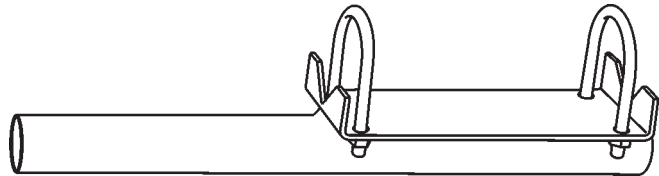
TYPICAL RADIATION PATTERN in E-plane at 122 MHz
 File: E-02-020
 Scale: linear



GP 87-108 LB FM RADIO BAND
GP 108-136 LB VHF AIRCRAFT BAND



OPTIONAL FT-2 FIXING BRACKET



Type : Side Mast Fixing Bracket
 Top Size : Ø 38 mm for antenna fitting
 Bottom Size : Ø 42/50 mm for fitting on the mast
 Weight (approx.) : 1100 gr
 Material : Galvanized Steel

P/N 2510004.00 FT-2 Universal

DESCRIPTION

1/4 λ Ground Plane wide-band antenna for base station service. It is made of aluminium and high quality materials to get the best efficiency and robustness. Its radial whip is earthed to be protected against the static discharges. GP 87-108 LB is developed for FM radio band and GP 108-136 LB is particularly recommended for the aeronautic band service.

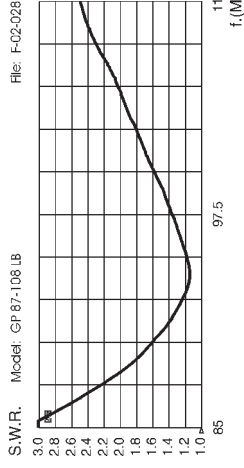
SPECIFICATIONS

Electrical Data	
Type	: 1/4 λ, Folded Ground Plane
Frequency Range	: RADIO band: 87-108 MHz at V.S.W.R. ≤ 2.5 : 1 VHF AIR band: Rx 108-136 MHz; Tx 118-136 at V.S.W.R. ≤ 2:1
GP 87-108 LB	: 50 Ω Unbalanced
GP 108-136 LB	: 360° Omnidirectional
Impedance	: Beamwidth at -3 dB = 78°
Radiation (H-plane)	: 0°
Radiation (E-plane)	: Vertical
Radiation angle deg.	: 0 dBd - 2.15 dBi
Polarization	: 22 MHz
Gain	: ≤ 1.2 : 1
Bandwidth at V.S.W.R. 2:1	: 1000 Watts
GP 108-136 LB	: Direct DC-Ground / Center
V.S.W.R. at res. freq.	: UHF Female
Max Power	: N Female
Feed System / Position	
Connector	
GP 87-108 / 108-136 LB-U :	
GP 87-108 / 108-136 LB-N :	

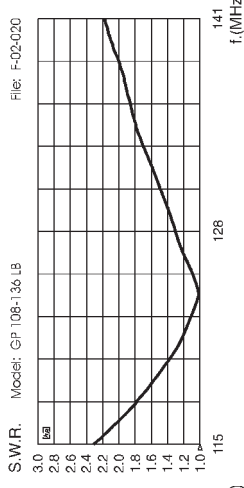
Mechanical Data

Mechanical Data	
Materials	: Anodized Aluminium, Nylon, Stainless Steel
Wind Load / Resistance	
GP 87-108 LB	: 67 N at 150 Km/h / 160 Km/h
GP 108-136 LB	: 56 N at 150 Km/h / 160 Km/h
Wind Surface	
GP 87-108 LB	: 0.06 m ²
GP 108-136 LB	: 0.05 m ²
Height (approx.)	
GP 87-108 LB	: 1190 mm
GP 108-136 LB	: 890 mm
Weight (approx.)	
GP 87-108 LB	: 1500 gr
GP 108-136 LB	: 1310 gr
Mounting Mast	: Ø 36-40 mm

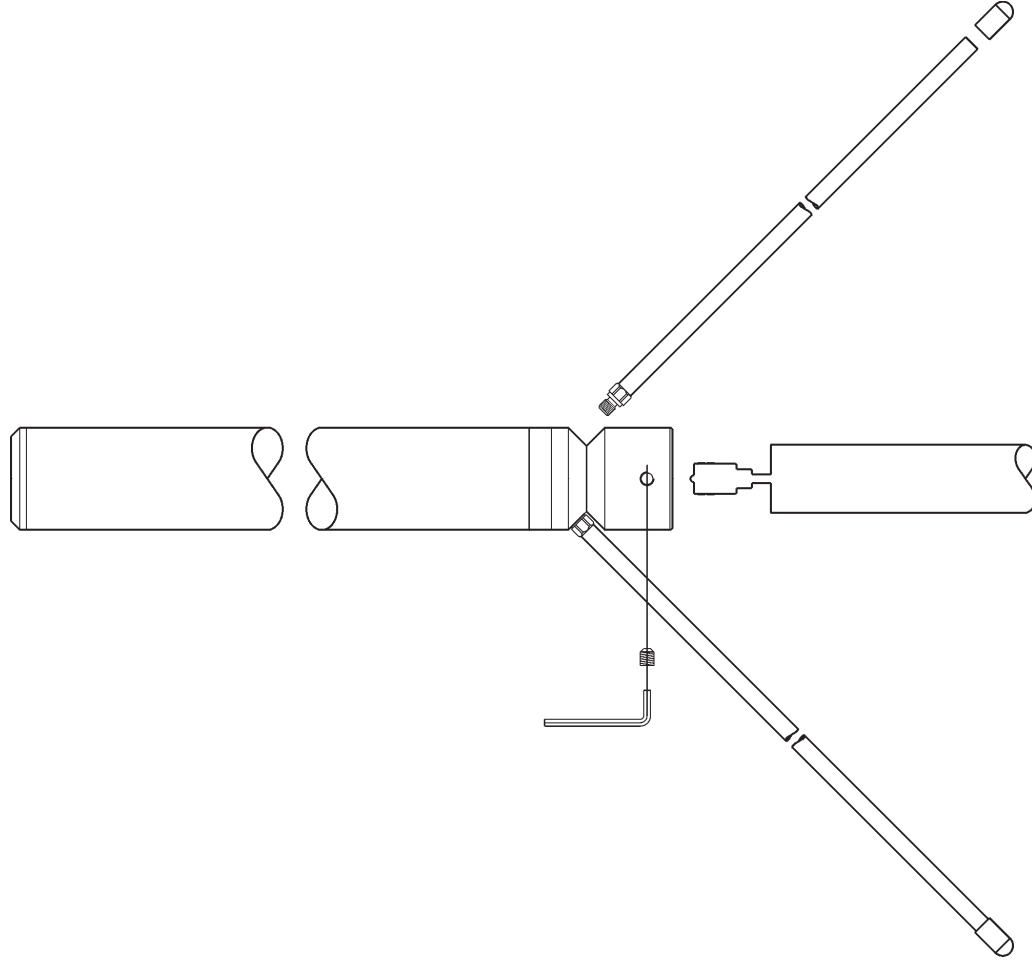
TYPICAL S.W.R. RESPONSE



TYPICAL S.W.R. RESPONSE

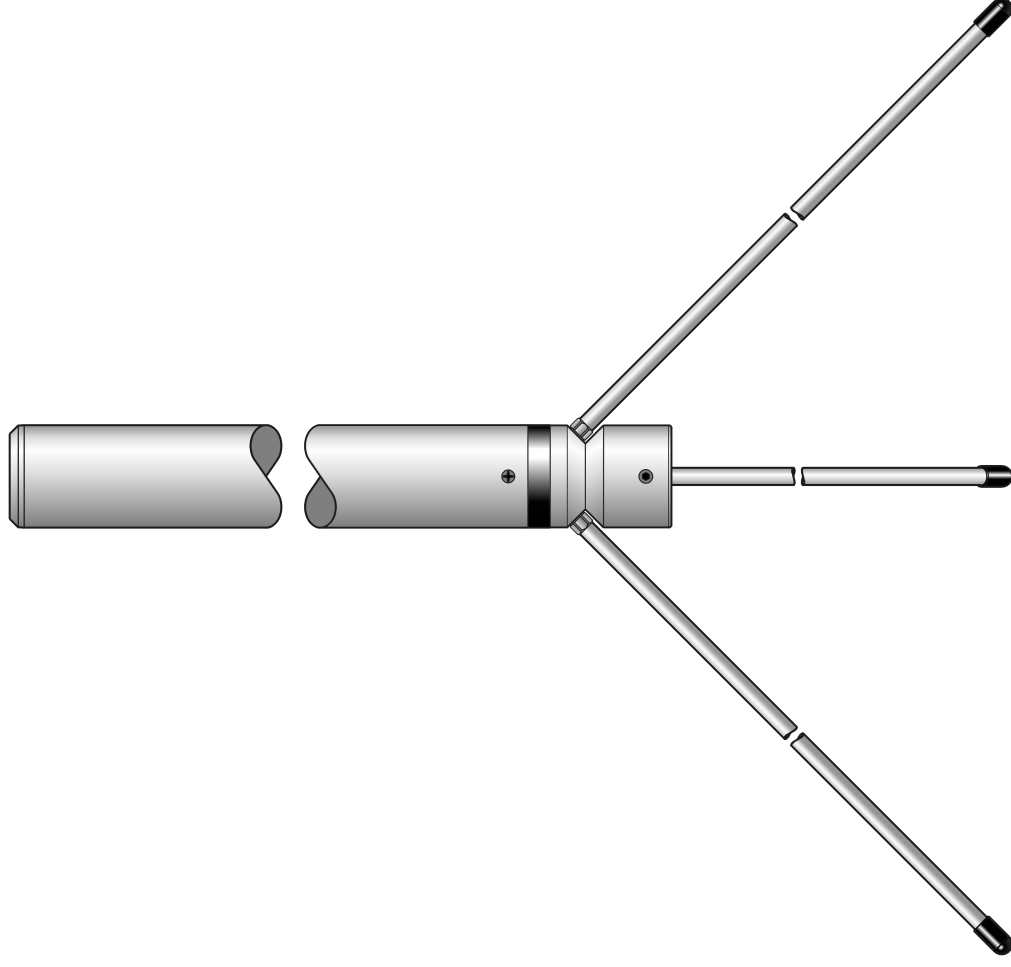


MOUNTING INSTRUCTIONS

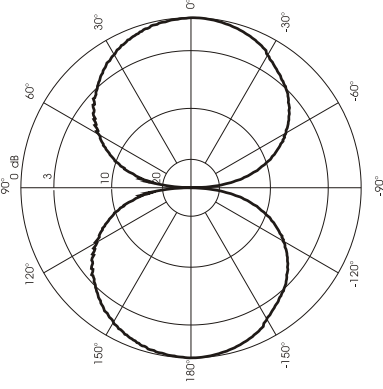


GP 160 LB

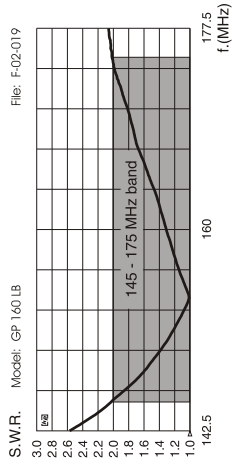
VHF Base Station Antenna 145-175 MHz



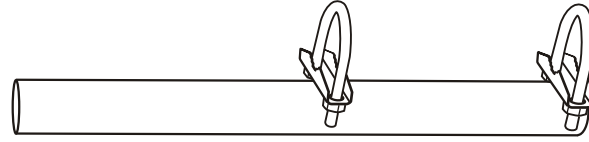
TYPICAL RADIATION PATTERN in E-plane at 160 MHz
File: E-02-019
Scale: logarithmic



TYPICAL S.W.R. RESPONSE



OPTIONAL FT-2 FIXING BRACKET



Type : Side Mast Fixing Bracket
Top Size : \varnothing 38 mm for antenna fitting
Bottom Size : \varnothing 42/50 mm for fitting on the mast
Weight (approx.) : 900 gr
Material : Galvanized Steel

P/N 2510004.00 FT-2 Universal

DESCRIPTION

1/4 λ wide-band antenna for base station service covering the frequency range of 145-175 MHz. It as been developed according to the most modern technologies to assure a perfect protection against the worst atmospheric climates and to get the best performance. It is entirely made of aluminium to assure strength and robustness and its radial whip is earthed. Its 30 MHz bandwidth makes it particularly recommended for relay stations or two-party systems.

SPECIFICATIONS

Electrical Data

Type	: 1/4 λ Ground Plane Large Band
Frequency Range	: 145-175 MHz @ SWR \leq 2
Impedance	: 50 Ω
Radiation (H-plane)	: 360° omnidirectional
Radiation (E-plane)	: Beamwidth @ -3 dB = 78°
Radiation Angle	: 0°
Polarization	: Linear Vertical
Gain	: 0 dBd - 2.15dBi
Max Power (CW) @ 30° C	: 1000 Watts
Grounding Protection	: All metal parts are DC-grounded, the inner conductor shows a DC-short
Connector type	: UHF Female with gold plated central pin
GP 160 LB - U	: N Female with gold plated central pin and PTFE insulator
GP 160 LB - N	

Mechanical Data

Material	: Anodized Aluminium, Nylon, Stainless Steel
Wind Load / Resistance	: 43N @ 150 Km/h / 160 Km/h
Wind Surface	: 0.04 m ²
Height (approx.)	: 700 mm
Weight (approx.)	: 1150 gr
Radial Length (approx.)	: 520 mm
Mounting Mast	: \varnothing 36-40 mm

MOUNTING INSTRUCTIONS

Part list	
Qty	Description
1	Main radiator with connector
3	\varnothing 10 mm Aluminium radials
3	PVC cap for aluminium radials
2	M8x10 Hexagon socket screw
1	4mm Allen key

Mounting needed tools:

n. 1 11 mm open key

