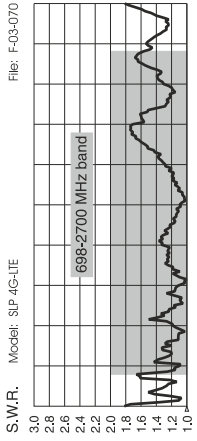
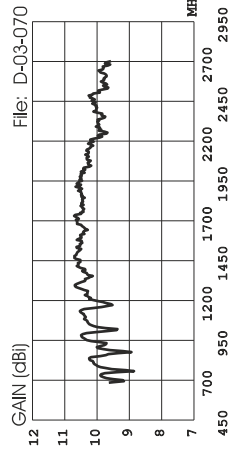


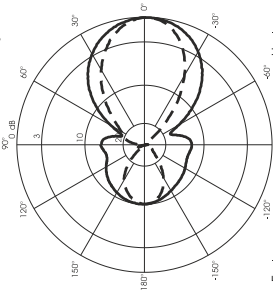
**TYPICAL S.W.R. RESPONSE**



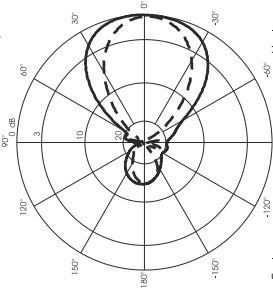
**TYPICAL GAIN DIAGRAM vs FREQUENCY**



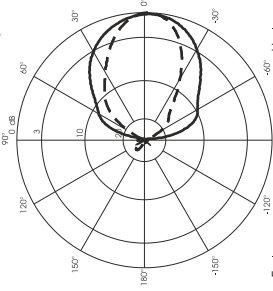
TYPICAL RADIATION PATTERN at 698 MHz  
File: E-03-070  
Scale: logarithmic



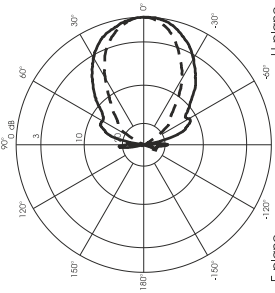
TYPICAL RADIATION PATTERN at 868 MHz  
File: E-03-070  
Scale: logarithmic



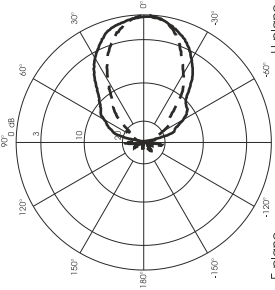
TYPICAL RADIATION PATTERN at 960 MHz  
File: E-03-070  
Scale: logarithmic



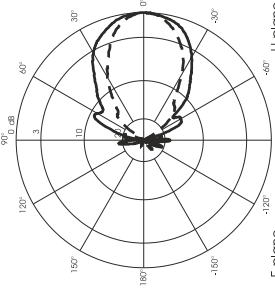
TYPICAL RADIATION PATTERN at 1710 MHz  
File: E-03-070  
Scale: logarithmic



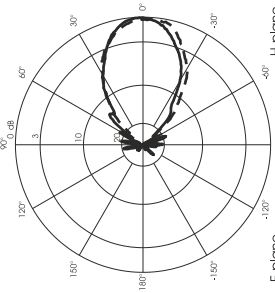
TYPICAL RADIATION PATTERN at 1880 MHz  
File: E-03-070  
Scale: logarithmic



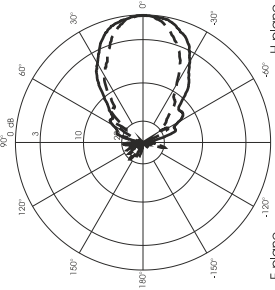
TYPICAL RADIATION PATTERN at 2045 MHz  
File: E-03-070  
Scale: logarithmic



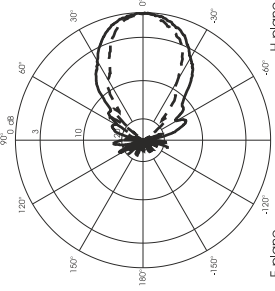
TYPICAL RADIATION PATTERN at 2300 MHz  
File: E-03-070  
Scale: logarithmic



TYPICAL RADIATION PATTERN at 2500 MHz  
File: E-03-070  
Scale: logarithmic



TYPICAL RADIATION PATTERN at 2700 MHz  
File: E-03-070  
Scale: logarithmic



# SLP 4G LTE

Sirio Log Periodic antenna 698-2700 MHz

## MAIN FEATURES

- Directional Wide Band Log Periodic antenna (from 698 to 2700 MHz).
- 4G LTE multi systems (2G-GSM, 3G-UMTS, 4G-LTE, ISM/LoRa, WiFi, W-Lan etc).
- Compact dimension, high linear Gain, good SWR response.
- Made of Aluminium and High quality materials.
- Easy and quick installation on the mast.
- Vertical or Horizontal polarization.
- Optional brackets + -45° polarization installation. Suitable for MiMo configuration
- Fully designed & Manufactured in Italy

**PATENTED design - Patent APPROVALS: 009407573-001/0002/003/004**



HI-QUALITY ANTENNAS MADE IN ITALY

## SPECIFICATIONS / CARACTÉRISTIQUES

<b>Electrical Data / Données électriques</b>	
Type / Type	Log Periodic Directional Antenna / Antenne Log Périodique
Frequency Range / Gamme de fréquences @ SWR ≤ 2	698 - 2700 MHz
Impedance / Impédance	50 Ω
Radiation Beamwidth / Largeur de faisceau @ -3 dB	see diagram / voir schéma
Radiation angle / Angle de rayonnement	0°
Front to back ratio / Ratio avant en arrière	698 - 880 MHz: ≥ 10 dB 880 - 2700 MHz: ≥ 20 dB
Polarization / Polarisation	Linear, Vertical or Horizontal / Linéaire, Verticale ou Horizontale
Gain / Gain	9 ÷ 11 dBi
Max Power / Puissance maximale (CW) @ 30° C	10 Watts
Grounding Protection	All metal parts are DC-grounded, the inner conductor shows a DC-short
Protection de mise à la terre	Toutes les pièces métalliques sont mises à la terre, le conducteur interne présente un court-circuit.
Cable / Câble	50 cm LOW-LOSS (other length on request/autre longueur sur demande)
Connector / Connecteur	SMA-male (other on request / autre sur demande)

<b>Mechanical Data / Données mécaniques</b>	
Materials	Aluminium, thermoplastic, Galvanized Steel
Matériaux	Aluminium, thermoplastique, acier galvanisé
Wind Load / Charge de vent	92 N @ 130 Km/h - 81 mi/h
Wind Resistance / Résistance au vent	130 Km/h; 81 mi/h
Wind Surface / Surface au vent	0.07 m <sup>2</sup> ; 0.75 ft <sup>2</sup>
Dimensions (approx.) / Dimensions (approx.)	850 x 290 x 50 mm; 2.8 x 0.95 x 0.16 ft
Turning radius (approx.) / Rayon de braquage (approx.)	820 mm; 2.7 ft
Weight (approx.) / Poids (approx.)	830 gr; 1.8 lb
Operating Temperature / Température de fonctionnement	-40 °C to +70 °C
Installation type / Type d'installation	Mast: Ø 25-42 mm; Ø 1-1.6 in with U-bolt Mât: Ø 25-42 mm; Ø 1-1.6 in avec étrier en U

### Standard Fixing Bracket Parts List

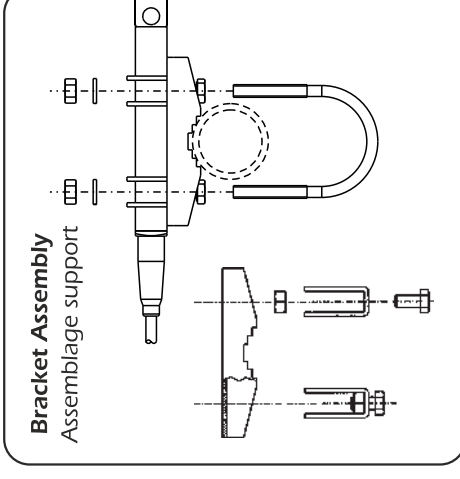
Re-order code: SA160

Q.ty	Description
1	80x66x16 mm galvanized steel bracket
2	30x24x14 mm galvanized steel bracket
2	M6x79 mm U-bolts
2	M6x12 mm hexagon head screw
4	M6 spring lock washers
6	M6 hexagonal nuts
1	35mm shrinkable tube D. 9,5mm

### Mounting needed tools:

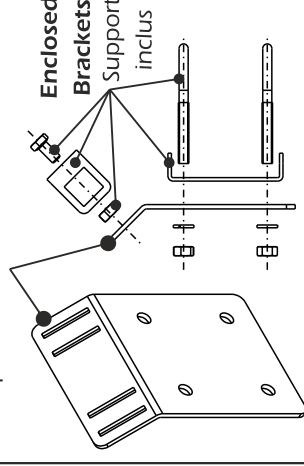
**Outils nécessaires au montage:**  
10 mm open key / clé plate 10mm

## MOUNTING INSTRUCTIONS / INSTRUCTIONS DE MONTAGE

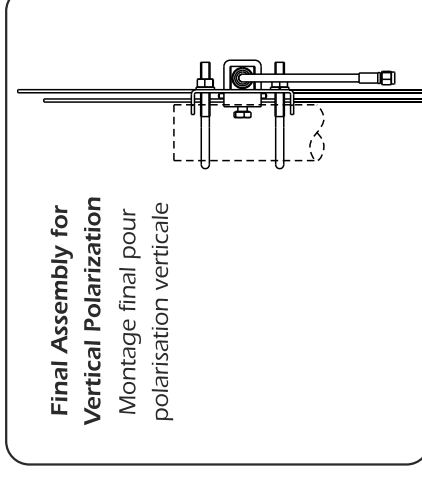


**Bracket Assembly**  
Assemblage support

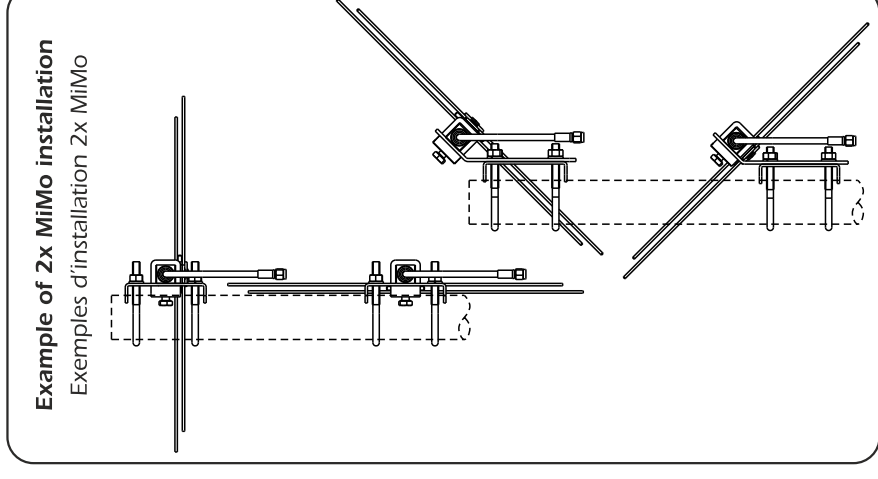
**Additional OPTIONAL bracket for +45° or -45° Polarization**  
Support supplémentaire en OPTION pour inclinaison +45° ou -45°



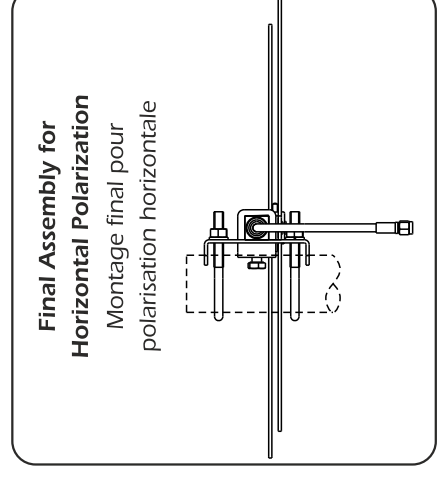
**Enclosed Brackets Support**  
inclus



**Final Assembly for Vertical Polarization**  
Montage final pour polarisation verticale



**Example of 2x MiMo installation**  
Exemples d'installation 2x MiMo



**Final Assembly for Horizontal Polarization**  
Montage final pour polarisation horizontale