

In Building Antennas

CM-S1-08NJ

TETRA UHF Ceiling Antenna

CM-S2-08NJ

05/07/19 V4

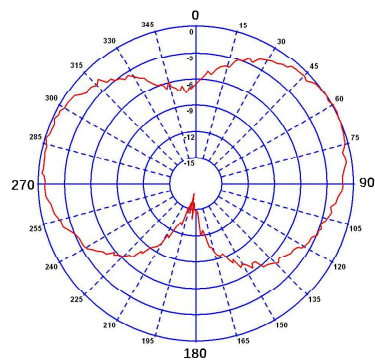


- Easy installation
- In building TETRA UHF coverage
- Discrete low profile appearance

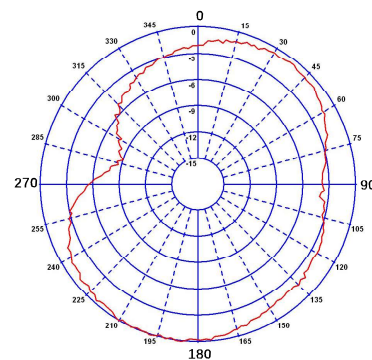
The Panorama TETRA UHF ceiling antenna is designed to enhance network coverage in large buildings for the emergency services. Used in airports, large campus sites and shopping centres the antenna ensures there are no black holes in coverage or a reduction in signal strength.

The discrete and low profile appearance of the antenna minimises awareness of its presence amongst building users.

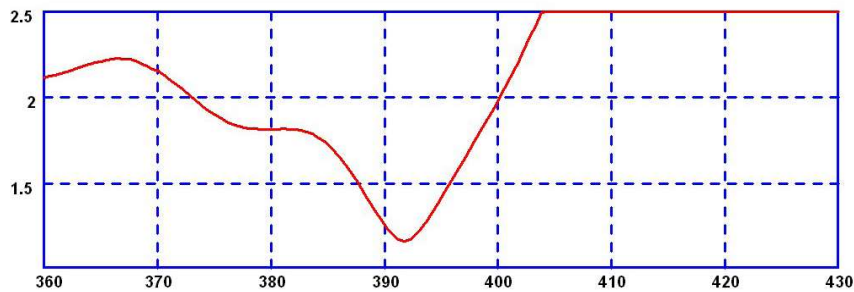
Typical E-Plane (390MHz)



Typical H-Plane (390MHz)

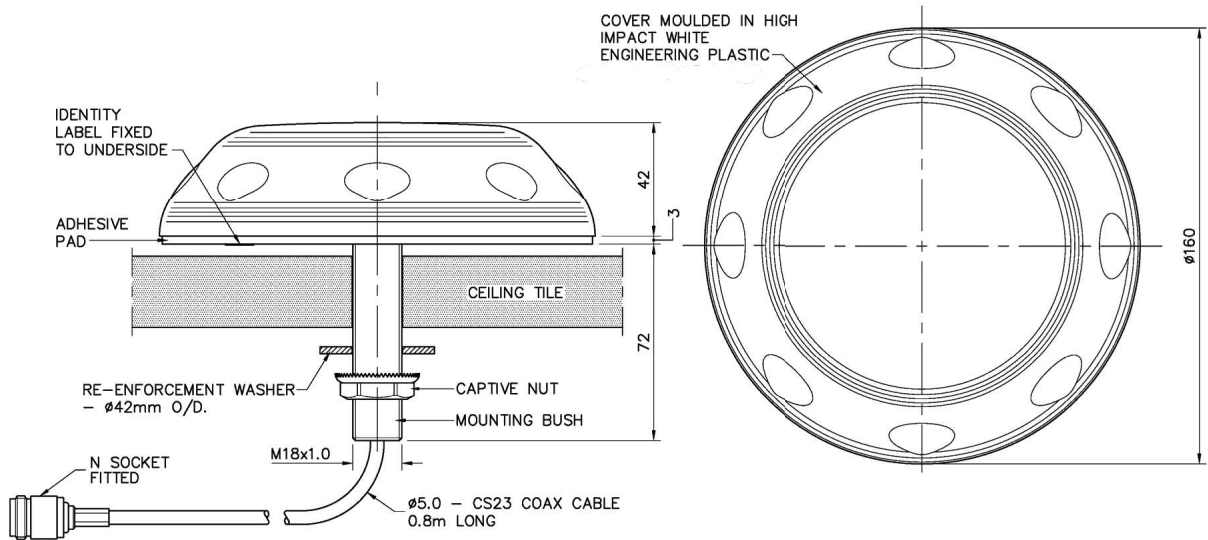


Typical VSWR



*Measured with 5m (16.5') of cable

Technical Drawing



Part No.

CM-S1-08NJ

CM-S2-08NJ

Electrical Data

	CM-S1-08NJ	CM-S2-08NJ
Frequency Range (MHz)	380-400	410-430
Operational Band	S1	S2
Peak Gain: Isotropic	0dBi	0dBi
Compared to ¼ wave	-2dB	-2dB
Typical VSWR	< 2:1	< 2:1
Polarisation	Vertical	Vertical
Pattern	Omni-directional	Omni-directional
Impedance	50Ω	50Ω
Max Input Power (W)	25	25

Mechanical Data

Dimensions	Height	42 (1.6")	42 (1.6")
(mm)	Width	160 (6.2")	160 (6.2")
Operating Temp (°C)		-40° / +80°C (-40° / 176°F)	-40° / +80°C (-40° / 176°F)
Material		Flame Retardant ABS	Flame Retardant ABS
Colour		White	White

Mounting Data

Fixing	Ceiling tile mounting	Ceiling tile mounting
Mounting hole size (mm)	18 (.7")	18 (.7")
Mounting length (mm)	72 (2.8")	72 (2.8")

Cable Data

Type	CS23 Coaxial Cable	CS23 Coaxial Cable
Thickness (mm)	5 (.19")	5 (.19")
Length (m)	0.8 (31.4")	0.8 (31.4")

PANORAMA ANTENNAS

Panorama Antennas Ltd
Frogmore, London, SW18 1HF, United Kingdom

T: +44 (0)20 8877 4444
F: +44 (0)20 8877 4477
E: sales@panorama-antennas.com
www.panorama-antennas.com

Waiver: The data given above is indicative of the performance of the product/s under particular conditions and does not imply a guarantee of performance. These specifications are subject to change without notice.

Copyright © Panorama Antennas Ltd. All rights reserved.