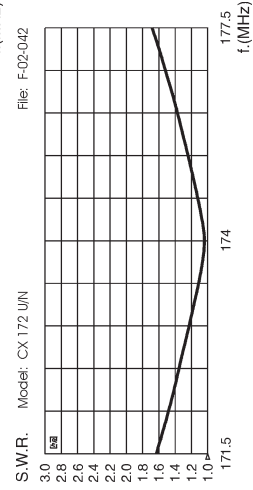
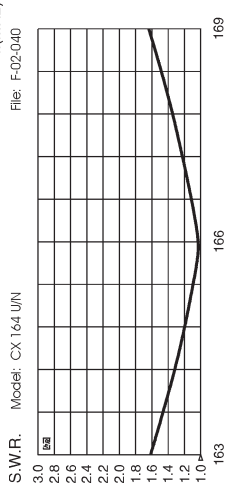
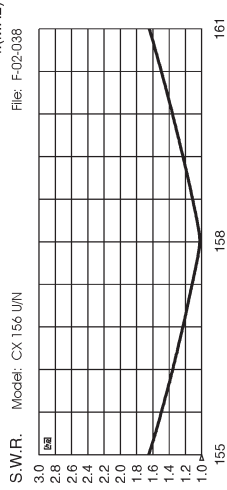
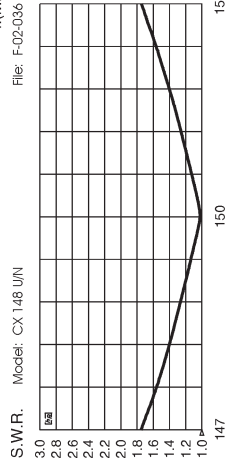
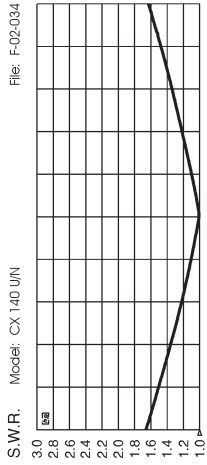
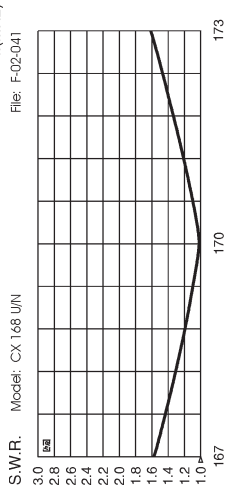
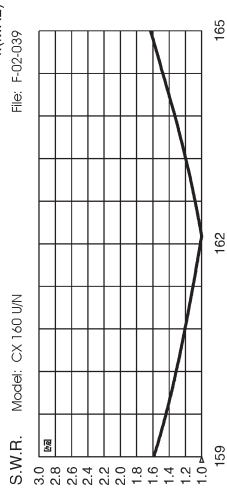
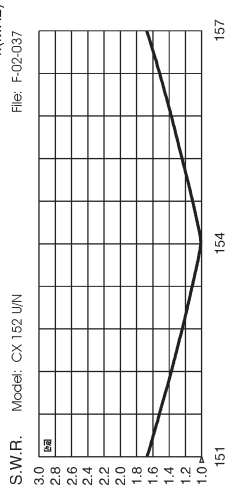
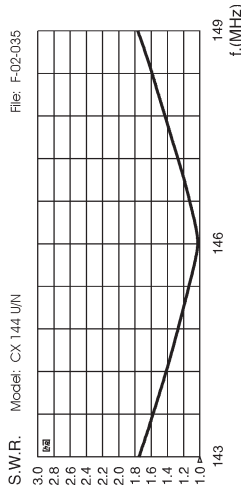


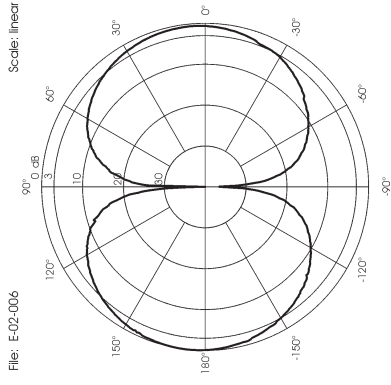
TYPICAL S.W.R. RESPONSE



TYPICAL S.W.R. RESPONSE



TYPICAL RADIATION PATTERN in E-plane at mid-band



CX 2m SERIES
VHF Base Station Antennas 140...176 MHz



Installation Manual

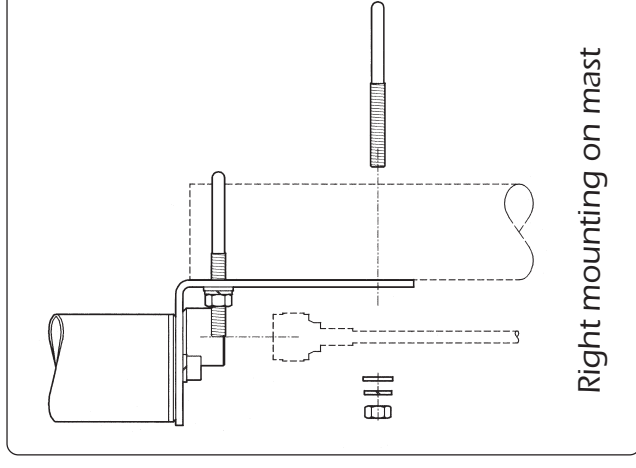
DESCRIPTION

3/4 λ VHF antenna for base station service made of high quality materials to get the best performance and the maximum efficiency. It is completely manufactured with aluminium tubes and nylon for its great robustness and it is supplied with a solid steel bracket for an easy and safe installation. Its Gamma Match feed makes it earthed for a perfect protection against the static discharges. In the mentioned range of frequencies, adjustments are not required. Simple and strong it is particularly recommended for a professional use.

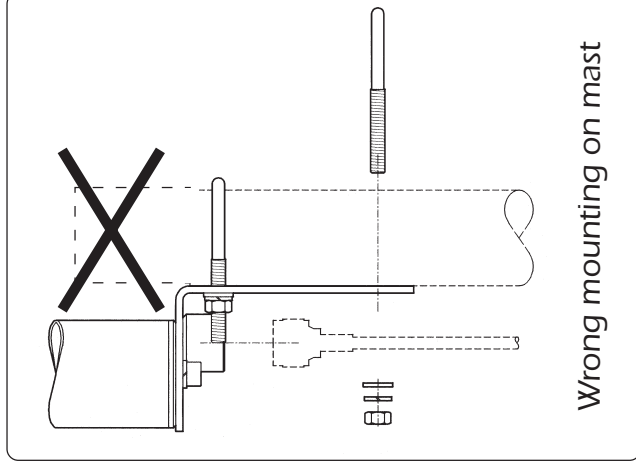
SPECIFICATIONS

Electrical Data	
Type	3/4 λ Coax. J-Pole
Frequency Range @ SWR \leq 1.5	CX 140 U/N 140 - 144 MHz CX 144 U/N 144 - 148 MHz CX 148 U/N 148 - 152 MHz CX 152 U/N 152 - 156 MHz CX 156 U/N 156 - 160 MHz CX 160 U/N 160 - 164 MHz CX 164 U/N 164 - 168 MHz CX 168 U/N 168 - 172 MHz CX 172 U/N 172 - 176 MHz
Impedance	50 Ω Unbalanced
Radiation (H-plane)	360° Omnidirectional
Radiation (E-plane)	Beamwidth at -3 dB = 68°
Radiation angle deg.	0°
Polarization	Vertical
Gain	2 dBd - 4.15 dBi
Bandwidth @ SWR 2.0	CX 140 \geq 6.9 MHz, CX 144 \geq 7.2 MHz, CX 148 \geq 7.5 MHz CX 152 \geq 7.7 MHz, CX 156 \geq 8.0 MHz, CX 160 \geq 8.3 MHz CX 164 \geq 8.3 MHz, CX 168 \geq 8.9 MHz, CX 172 \geq 9.2 MHz \leq 1.2
SWR @ res. freq.	\leq 1.2
Max Power	250 Watts
Feed System / Position	Gamma Match / Base
Connector	CX series U: UHF-female CX series N: N-female
Mechanical Data	
Materials	Nylon, Brass, Steel, Aluminium
Wind Load / Resistance	51 N at 150 Km/h / 180 Km/h
Wind Surface	0.04 m ²
Height (approx.)	from 1370 mm to 1660 mm
Weight (approx.)	750 gr
Mounting Mast	\varnothing 35-42 mm

MOUNTING INSTRUCTIONS



Right mounting on mast



Wrong mounting on mast

HARDWARE PARTS LIST	
Qty	Descriptions
n.2	U-bolts
n.4	M6 flat washer
n.4	M6 lock washer
n.4	M6 hex nut