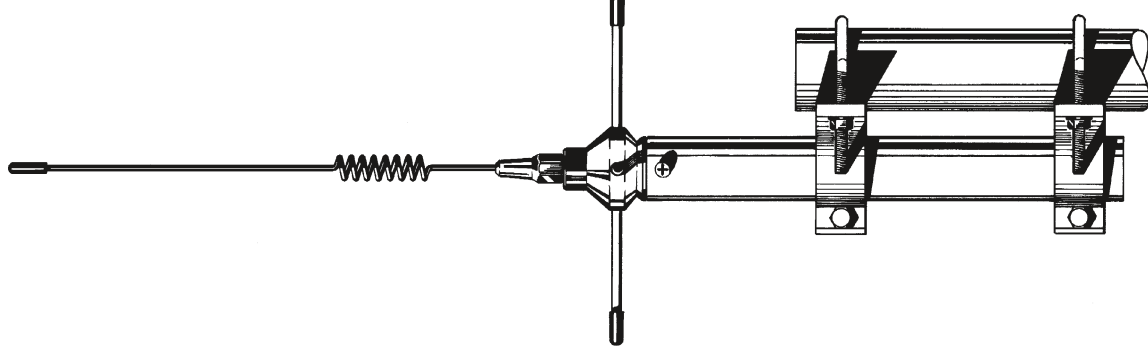


GP 868 C

UHF Base Station Antenna 868 MHz ISM service



DESCRIPTION

UHF colinear Ground Plane antenna suitable for the base station on 868 MHz frequency (ISM service). The main whip and the radials are made of 17/7 PH stainless steel and its base is of chromed brass to get the best robustness. Easy to fit, it is suitable for a handy installation everywhere.

SPECIFICATIONS

Electrical Data

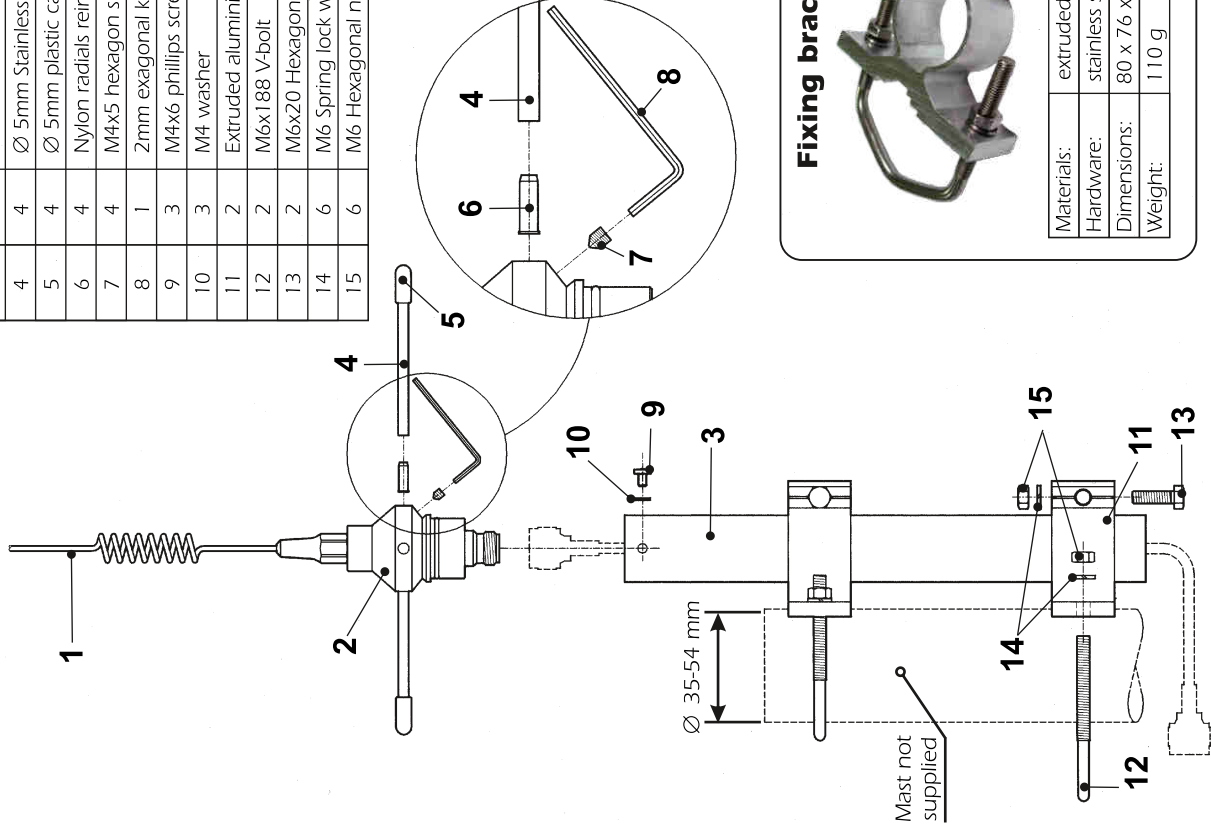
Type : $1/4 \lambda + 1/2 \lambda$ Colinear
 Frequency Range @ SWR ≤ 2 : 835 - 900 MHz
 Impedance : 50Ω
 Polarization : Linear Vertical
 Max Gain : 3 dBd, 5.14 dBi
 Beamwidth Horizontal : 360° omnidirectional
 SWR @ res. freq. : ≤ 1.2
 Max Power : 50 Watts (CW) @ 30°C
 Connector type : N-female, gold plated central pin

Mechanical Data

Housing Materials : Stainless Steel, Aluminium, Chromed Brass
 Wind Load / Resistance : 13N @ 150 Km/h / 180 Km/h
 Wind Surface : 0.015 m^2
 Height (approx.) : 600 mm
 Weight (approx.) : 700 gr
 Radial Length (approx.) : 90 mm
 Operating Temperature : -40°C to 80°C
 Mounting Mast : $\varnothing 35\text{-}54 \text{ mm}$

MOUNTING INSTRUCTIONS

Pos	Q.ty	Description	Part list
1	1	Black stainless steel whip	
2	1	Chromed base	
3	1	$\varnothing 29 \times 32 \times 250 \text{ mm}$ alu. tube	
4	4	$\varnothing 5 \text{ mm}$ Stainless steel radials	
5	4	$\varnothing 5 \text{ mm}$ plastic caps	
6	4	Nylon radials reinforce	
7	4	M4x5 hexagon socket set screw	
8	1	2mm exagonal key	
9	3	M4x6 phillips screws	
10	3	M4 washer	
11	2	Extruded aluminium bracket	
12	2	M6x188 V-bolt	
13	2	M6x20 Hexagonal head screw	
14	6	M6 Spring lock washer	
15	6	M6 Hexagonal nut	



Fixing bracket:

Materials:	extruded aluminum
Hardware:	stainless steel
Dimensions:	80 x 76 x 25 mm
Weight:	110 g