

SMP 4G LTE

Indoor-Outdoor Compact Directional Multi-Band

(1790-960 MHz & 1.71-2.7 GHz for 4G - LTE , WLAN 2.4)

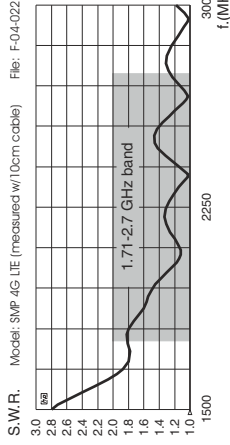


MAIN FEATURES

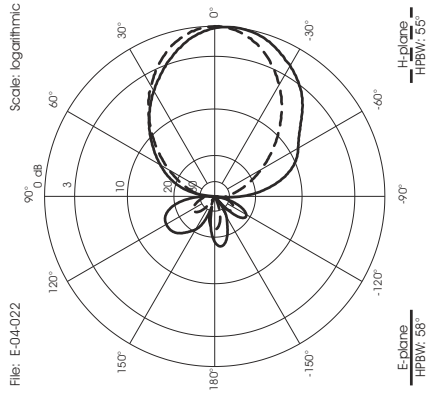
- Very compact directional panel antenna
- Suitable for indoor and outdoor use
- Working on 4G LTE
- Easy and quick installation on the mast or on the wall
- Fully designed & Manufactured in Italy

Installation Manual

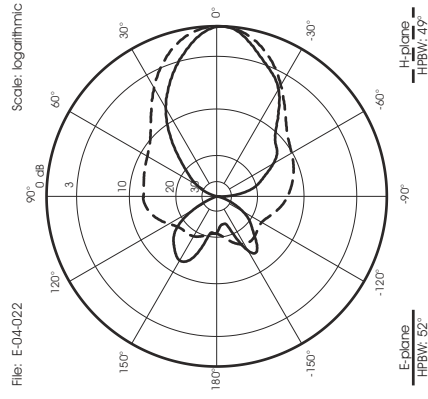
TYPICAL S.W.R. RESPONSE



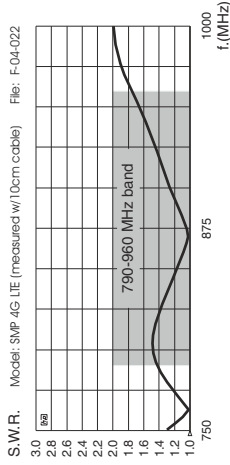
TYPICAL RADIATION PATTERN at 1795 MHz



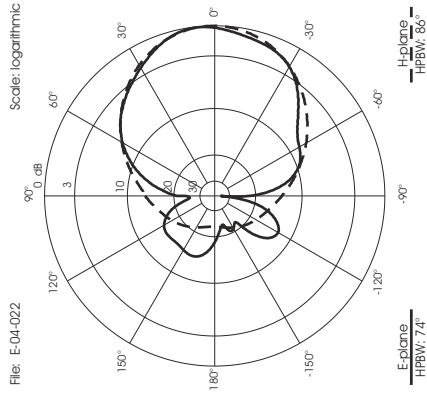
TYPICAL RADIATION PATTERN at 2500 MHz



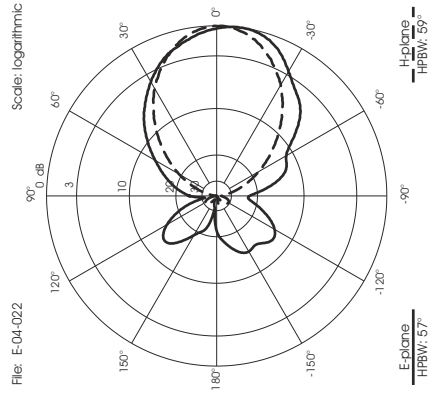
TYPICAL S.W.R. RESPONSE



TYPICAL RADIATION PATTERN at 875 MHz



TYPICAL RADIATION PATTERN at 2045 MHz



SPECIFICATIONS

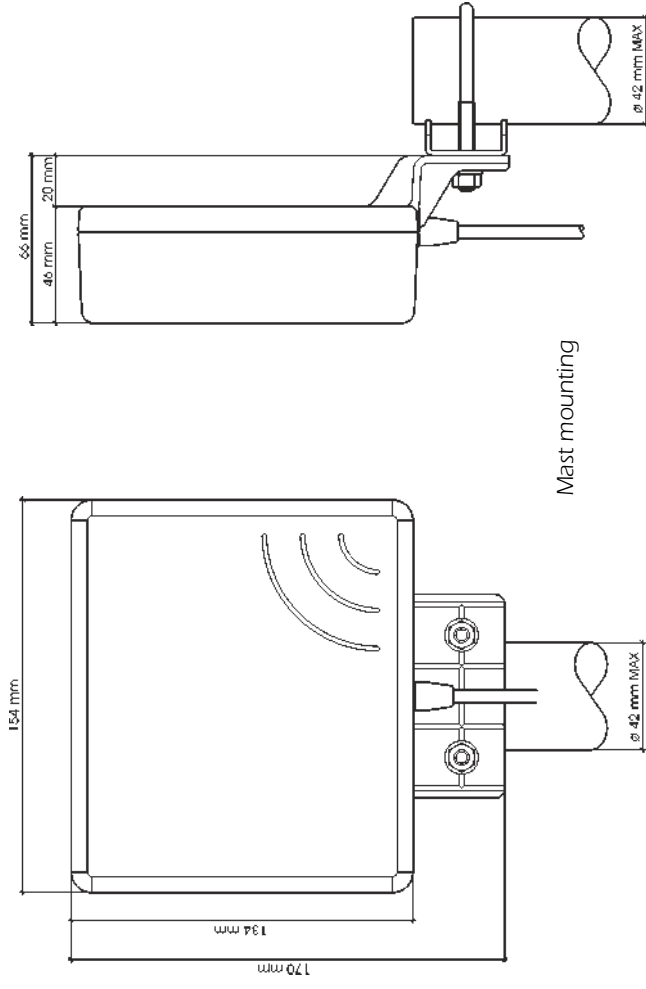
Electrical Data

Type	Directional mini panel wideband
Frequency Range	790-960 MHz & 1710-2700 MHz @ SWR ≤ 2
Impedance	50 Ω
Half Power Beam Width	see Typical Radiation Patterns
Polarization	Linear Vertical
Gain	LTE 800 & GSM DCS UMTS LTE & WLAN 6+7 dBi @ 790-960 MHz; 9 dBi @ 1710-1880 MHz; 9 dBi @ 1920-2170 MHz 8+9 dBi @ 2300-2700 MHz
Front to back ratio	LTE 800 & GSM DCS UMTS LTE & WLAN LTE 800 & GSM DCS UMTS LTE & WLAN ≥ 12 dB @ 790-960 MHz; ≥ 16 dB @ 1710-1880 MHz; ≥ 20 dB @ 1920-2170 MHz ≥ 10 dB @ 2300-2700 MHz 30 Watts (CW) @ 790-960 MHz; 15 Watts (CW) @ 1710-1880 MHz; 10 Watts (CW) @ 1920-2170 MHz 10 Watts (CW) @ 2300-2700 MHz
Max Power @ 30°C	LTE 800 & GSM DCS UMTS LTE & WLAN 30 Watts (CW) @ 790-960 MHz; 15 Watts (CW) @ 1710-1880 MHz; 10 Watts (CW) @ 1920-2170 MHz 10 Watts (CW) @ 2300-2700 MHz
Cable Type / Length	50 Ω LOW LOSS / 30 cm [other length on request]
Connector	SMA-male (other type on request)

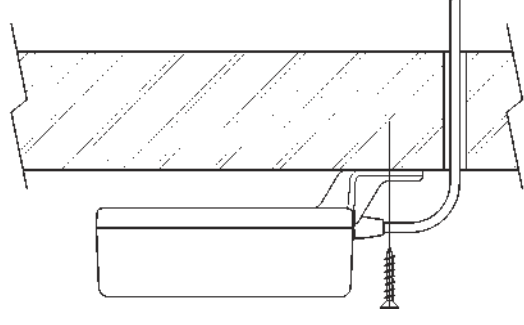
Mechanical Data

Materials	RAL 7035 Light Grey thermoplastic UV stabilized, galvanized steel
Wind Load @150 km/h	40 N
Wind Resistance	180 Km/h
Wind Surface	0.02 m ²
Operating temperature	-40°C to + 80°C
Dimensions (approx.)	154 x 134 x 46 mm without bracket
Weight (approx.)	500 gr
Installation Type	Mast: Ø25-42 mm with U-bolt (included) Wall: mounting screw (not included)

MOUNTING INSTRUCTIONS



Mast mounting



Wall mounting
(screws not included)



Optional tilting bracket
Mast: Ø 35-50 mm with clamp included
Wall: with mounting screws (not included)