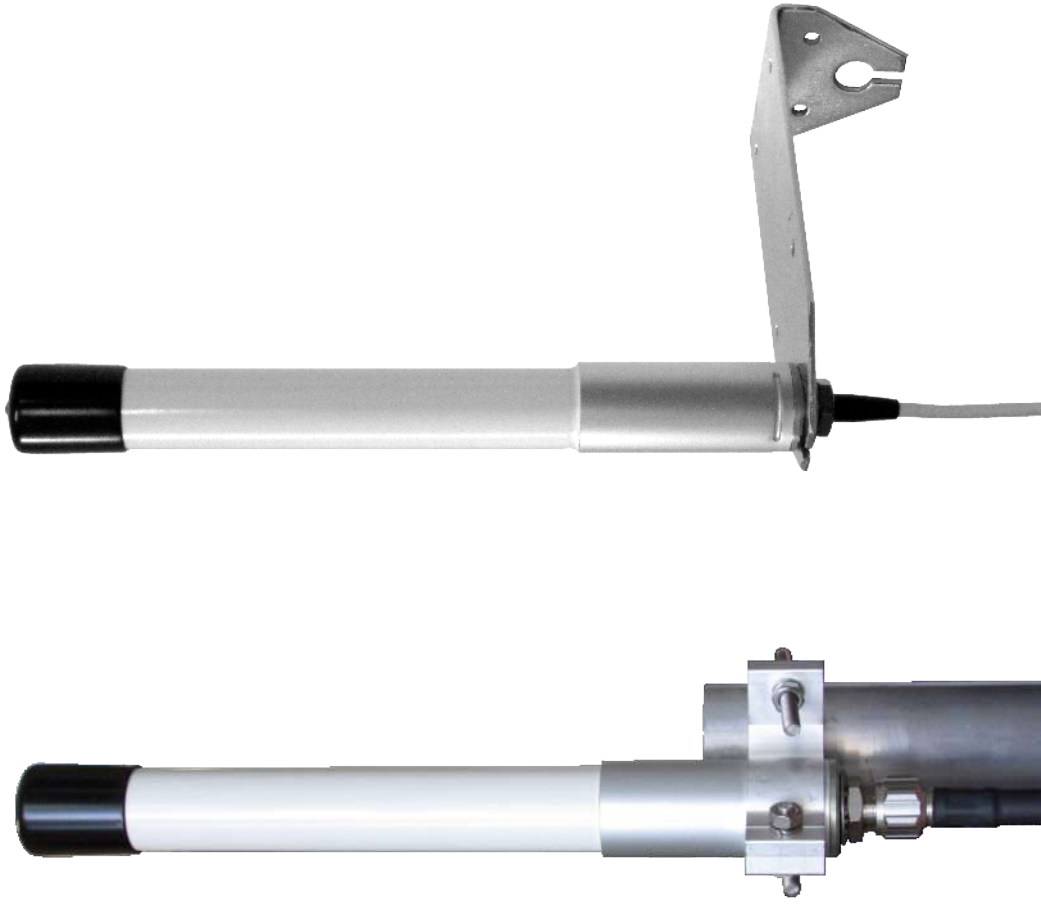


OMNI MULTI-BAND SO 4G LTE

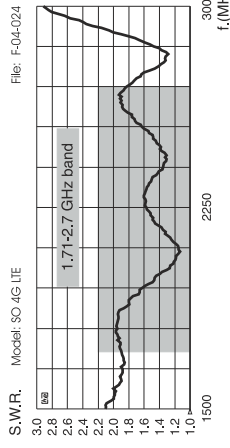
Base Station Antennas 790-960 & 1710-2700 MHz



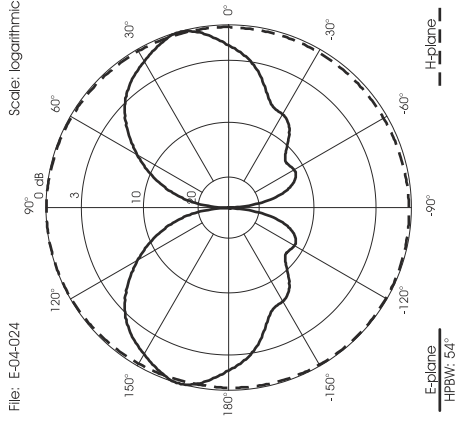
SO 4G LTE w/cable

SO 4G LTE

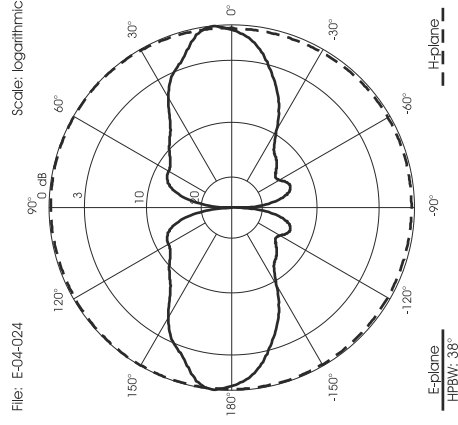
TYPICAL S.W.R. RESPONSE



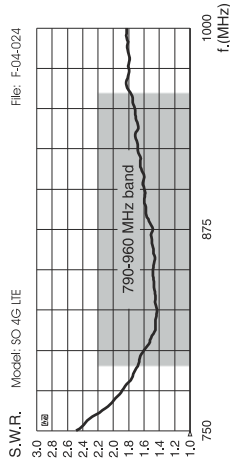
TYPICAL RADIATION PATTERN at 1800 MHz



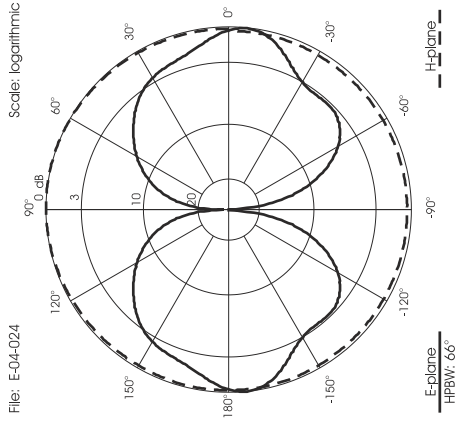
TYPICAL RADIATION PATTERN at 2500 MHz



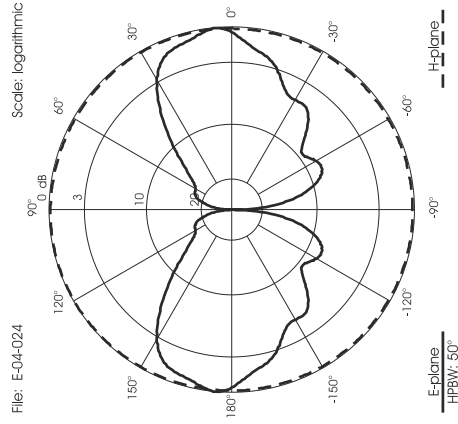
TYPICAL S.W.R. RESPONSE



TYPICAL RADIATION PATTERN at 875 MHz



TYPICAL RADIATION PATTERN at 2045 MHz



HI-QUALITY ANTENNAS MADE IN ITALY

Installation Manual

DESCRIPTION

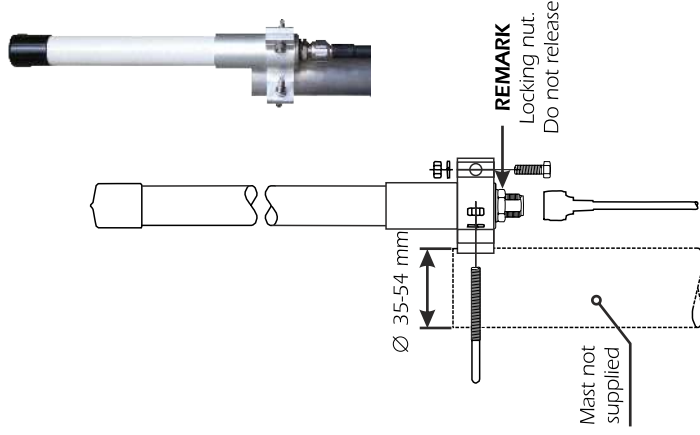
Multi-band base station antennas conceived for LTE 790, ISM 868 MHz, GSM 900 & 1800, DCS 1.9, UMTS, W-LAN 2.4 and LTE 2.5 systems working on 790-960 MHz and 1710-2700 MHz. The radiant dipole is made of brass and protected by a fiberglass tube. SO 4G LTE has a N-female connector fitted directly on the bottom while SO 4G LTE w/cable is supplied with 5m Low Loss cable directly connected and SMA-male (other type on request).

SPECIFICATIONS

Electrical Data	SO 4G LTE	SO 4G LTE cable version
Type	Collinear Dipole Array	
Frequency Range @ SWR ≤ 2.2	790 - 960 MHz (LTE, ISM, GSM 900) & 1.71 - 2.7 GHz (GSM 1.8, PCN, DECT, UMTS, WLAN, LTE)	
Impedance	50 Ω	
Radiation (H-plane)	360° omnidirectional	
Radiation (E-plane)	Beamwidth @ -3 dB: see diagrams	
Radiation angle deg.	see diagrams	
Polarization	Linear Vertical	
Gain	2 dBi @ 790-960 MHz; 4 dBi @ 1.71-2.7 GHz	
Max Power (CW) @ 30° C	25 Watts	
Cable Type / Length	/	Low Loss cable / 5m, 16.4 ft
Connector	N-female, gold plated central pin	SMA-male, other type on request
Mechanical Data		
Housing & Radome Material	Fiberglass, Anodized aluminium, Chromed Brass	
Bracket & Hardware Material	Aluminium, Stainless steel	Galvanized steel
Wind Load / Resistance	14 N @ 150 Km/h, 95 mi/h / 200 Km/h, 124 mi/h	
Wind Surface	0.011 m ² ; 0.12 ft ²	
Height (approx.)	300 mm, 1 ft	
Weight (approx.)	230 gr, 0.5 lb (without bracket)	495 gr, 1.1 lb (without bracket)
Operating temperature	-30 °C to +70 °C	
Installation type	Mast: Ø 35-54 mm, Ø 1.4-2.1 in with V-bolt	M3 bracket: Mast: Ø 35-42mm, Ø 1.4-1.65 in with U-bolt Wall: with screws (not included)

MOUNTING INSTRUCTIONS

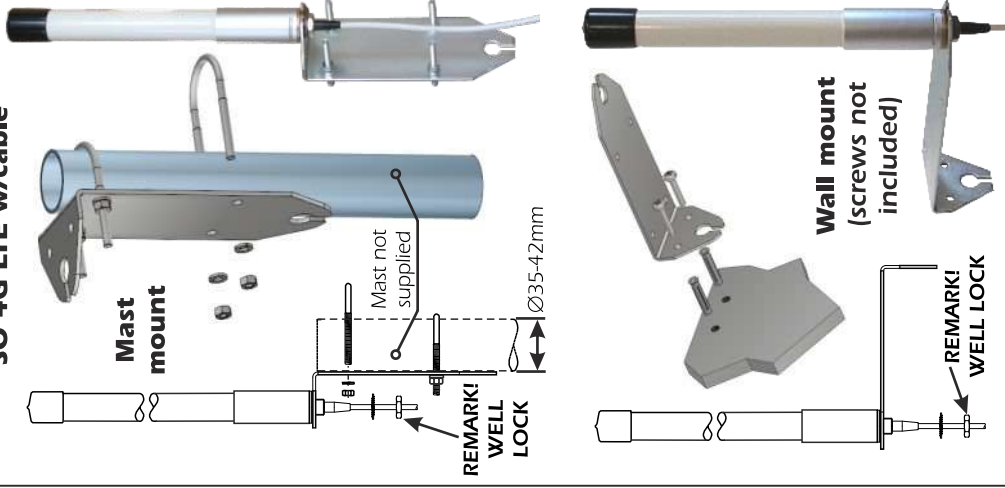
SO 4G LTE



Fixing bracket part list

Q.ty	Description
1	Extruded aluminium bracket
1	M6x188 V-bolt
1	M6x20 Exagonal head screw
3	M6 Spring lock washer
3	M6 Hexagonal nut
Materials: extruded aluminium	
Hardware: stainless steel	
Dimensions: 80 x 76 x 25 mm	
Weight: 110 g	
Re-order code: SA161	

SO 4G LTE w/cable



U-BOLTS re-order code: SA008	Description
2	M6 U-bolt
4	M6 Exagonal nut
4	M6 Flat washer
4	M6 Spring lock washer

BRACKET re-order code: ST07404	Description
Materials:	galvanized steel
Dimensions:	195 x 60 x 70 mm
Weight:	345 g