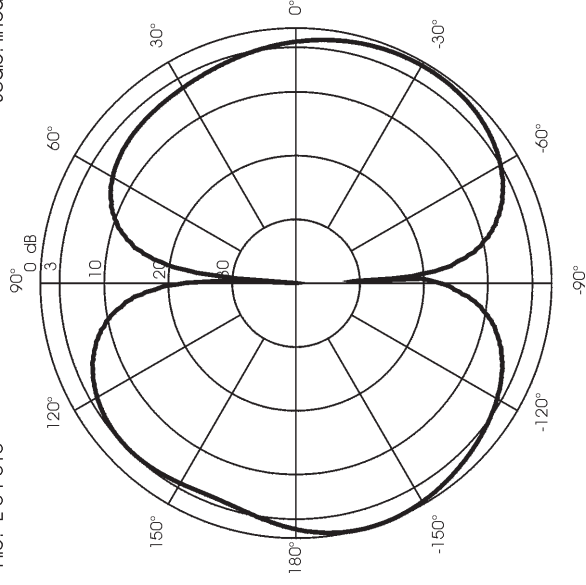


TYPICAL RADIATION PATTERN in E-plane at 918 MHz

File: E-04-010

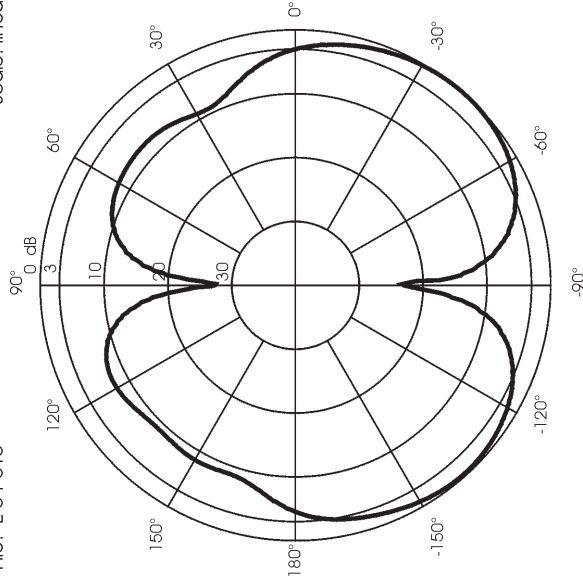
Scale: linear



TYPICAL RADIATION PATTERN in E-plane at 1920 MHz

File: E-04-010

Scale: linear



Model SCM - 918 - 2

Indoor Ceiling Multi-Band Antenna (GSM, DCS, DECT, UMTS)



DESCRIPTION

Multi-band indoor ceiling antenna working on 876-960 MHz and 1.7-2.17 GHz conceived for GSM 900& 1800, PCS 1.9GHz, DECT and UMTS systems. The radiant element is made of brass and protected by a High impact polystyrol radome to get the best robustness for long periods of time. It's paintable according to the ceiling surface (lead contents free).

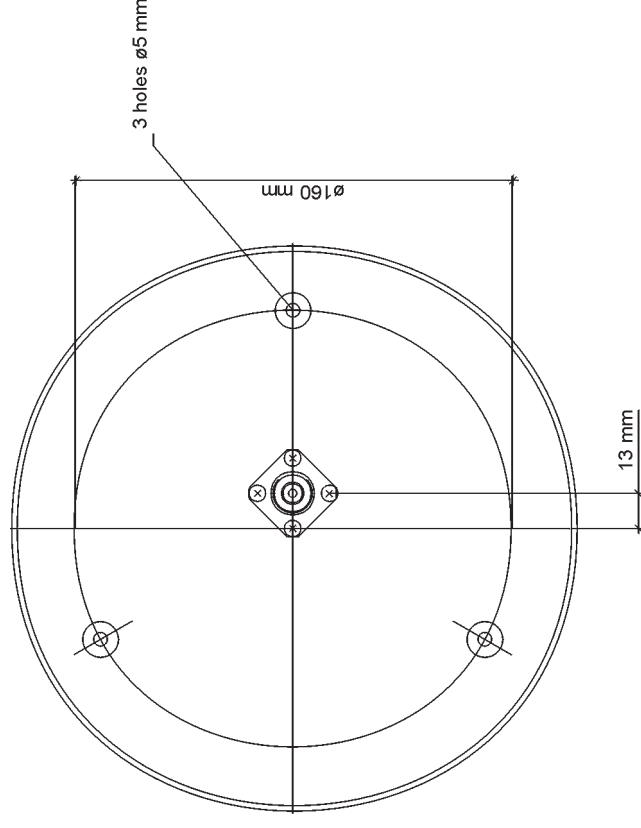
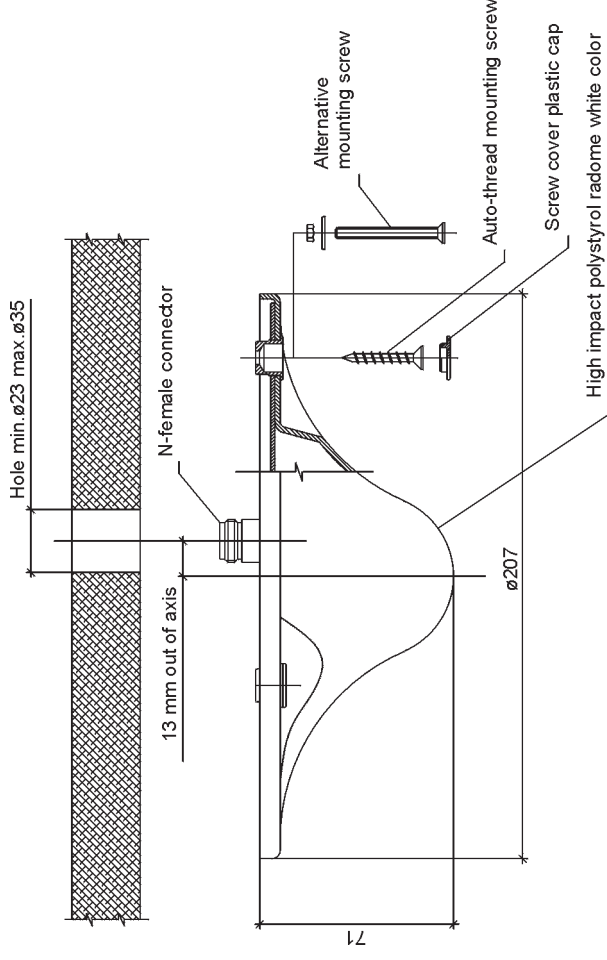
SPECIFICATIONS

Electrical Data	
Type	: 1/4 λ Ground Plane Monopole at both band
Frequency Range	: 876-960 MHz & 1710-2170 MHz
Impedance	: 50 Ω Unbalanced
Polarization	: Linear Vertical
Gain	: 0 dBi, 2.15 dBi at both bands
3 dB Beamwidth Vertical	: E-plane 66° at 918 MHz; 55° at 1.795 GHz E-plane 60° at 1.92 GHz, 45° at 2.045 GHz
Beamwidth Horizontal	: H-plane 360° Omnidirectional
Beam tilt	: -18.6° at 918MHz; -46° at 1795/1920MHz, -42° at 2045MHz
V.S.W.R. in Bandwidth	: \leq 1.6:1 from 876 to 940 MHz \leq 1.8:1 from 940 to 960 MHz \leq 1.6:1 from 1.71 to 2.17 GHz
Max Power	: 50 Watts (CW) at 50° C
Feed System / Position	: Direct / Base
Lightning protection	: DC-ground
Connector type	: N-female

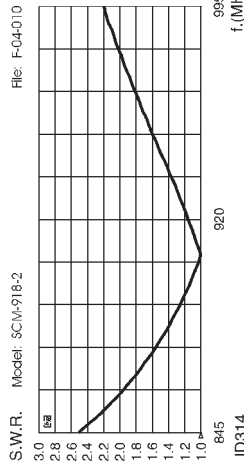
Mechanical Data

Housing Materials	: Aluminium, Brass
Radome Material	: High Impact Polystyrol
Radome Color	: White (paintable)
Diameter (approx.)	: 207 mm
Height (approx.)	: 71 mm (without connector)
Weight (approx.)	: 340 gr
Mounting	: On Ceiling (screw supplied)

MOUNTING INSTRUCTIONS



TYPICAL S.W.R. RESPONSE



TYPICAL S.W.R. RESPONSE

