

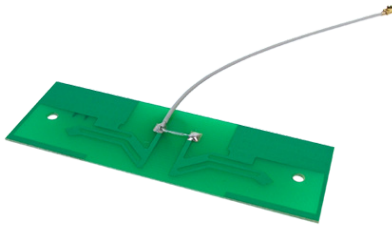


## Echo 2

2G/3G/4G/WiFi compact 1/4 wave dipole PCB Antenna

### Key Features

- Compact size
- Flexible connector and cable options
- Wide frequency range: 800MHz - 2.4GHz
- Ground plane independent



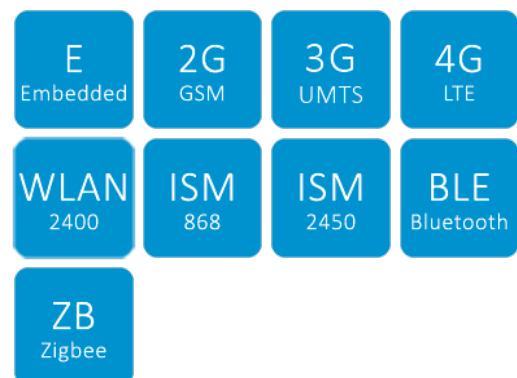
### General Description

The Echo 2 antenna is perfect for applications that require a sensitive compact embedded antenna solution. Already proven in many applications where space is at a premium, this antenna is ideal as it is ground plane independent and compact making it a popular choice where a small size combined with efficient performance is critical.

Many small PCB antennas are a half dipole and where they really need a ground plane to be effective. The Echo 2 PCB antennas are based on an efficiently tuned, full dipole antenna element that can be used very effectively with a wide variety of RF & M2M modules operating on Cellular, 868 and 2.4GHz ISM band frequencies.

### Additional Considerations

- Easy selection makes antenna suitable for many modules
- Operates on worldwide 2G / GPRS networks, 3G plus 4G LTE frequencies, WiFi + Bluetooth and can be used.





## Echo 2

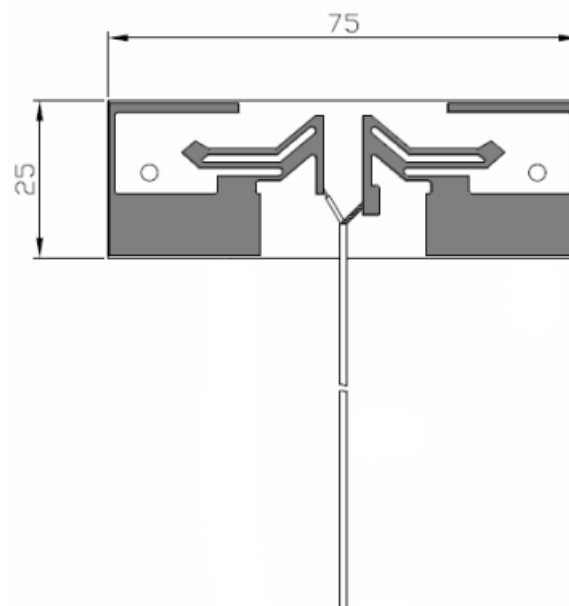
2G/3G/4G/WiFi compact 1/4 wave dipole PCB Antenna

### Electrical Specifications

Operating Temperature:	-30 - +65°C
Storage Temperature:	-35 - +75°C
Impedance:	50 Ohm
Gain:	2dBi
VSWR:	<3
Operating Frequencies:	GSM / GPRS - 850, 900, MHz 1.8, 1.9 GHz 3G - 1.9, 2.1GHz 4G - 900, 1.8GHz ISM - 868MHz, 2.4GHz
Polarization:	Vertical

### Mechanical Specifications

Dimensions:	L75 x W25 x H1.7mm
Cable:	1.13mm
Connector:	IPEX/uFL

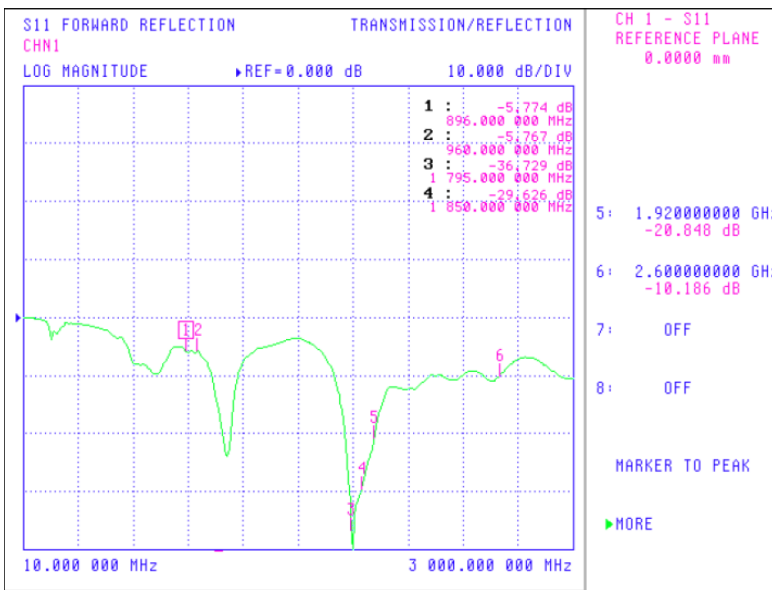




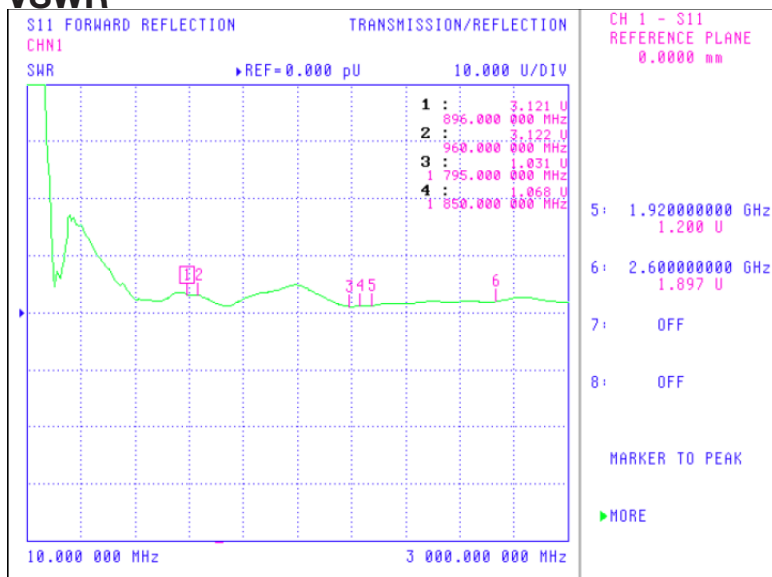
## Echo 2

2G/3G/4G/WiFi compact 1/4 wave dipole PCB Antenna

### Return Loss



### VSWR



### Ordering Details

Part Number Description

ECHO2/0.1M/UFL/S/S/1 2G/3G/WiFi compact 1/4 wave dipole PCB Antenna