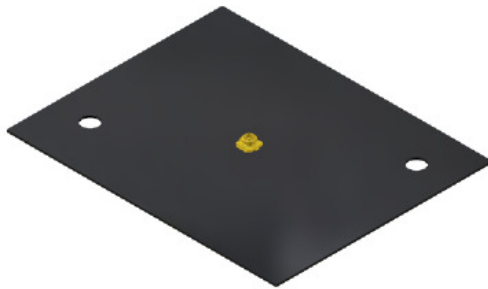


- Credit Card Thin
- Mesh Network
- Omni Directional
- Pentaband
- ROHS Compliant
- UFL Connector
- Ultra Compact
- GPRS GPRS
- UMTS UMTS



TCB-C3G-UF

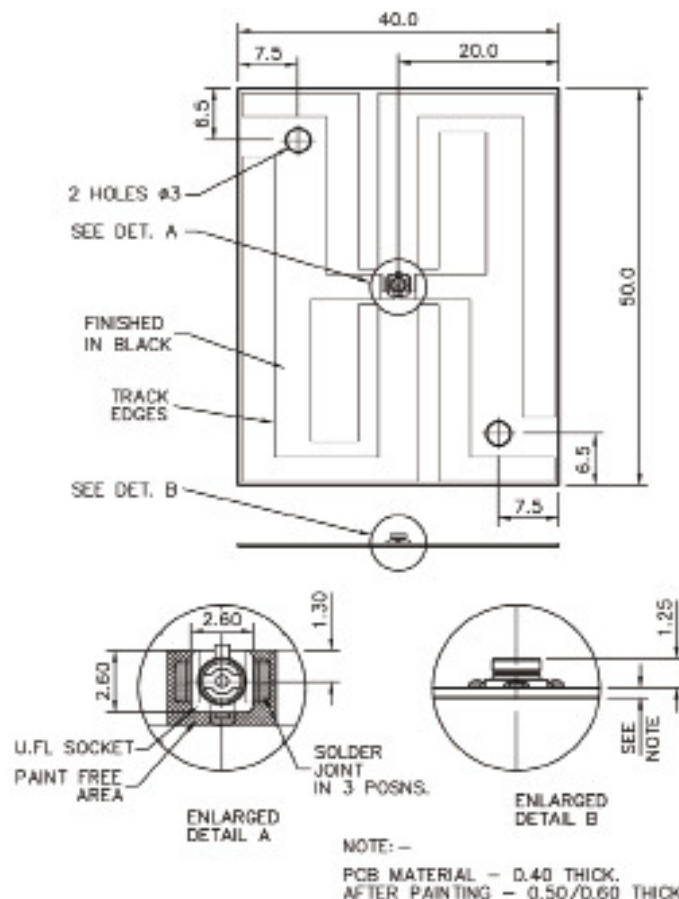
- Covers 5 cellular bands
- Simple & quick installation
- Suitable for plastic enclosures

The TCB-C3G-UF antenna covers five cellular bands without compromising on performance or cost making it an ideal 'one size fits all' product for metering systems, equipment monitoring, and any other applications involving the transmission of data over cellular networks.

The TCB-C3G-UF is easy to install with pre-drilled mounting holes and industry standard UFL socket connector. The small size & low profile allow this antenna to be fitted into small spaces.

It should be noted that the tuning of this antenna may be affected by both the enclosure material and surrounding components. Please contact Panorama for further details.

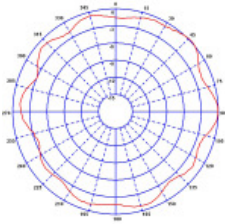
Technical Drawing



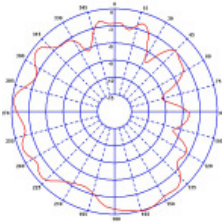
M2M & IOT

Pentaband Cellular PCB Antenna

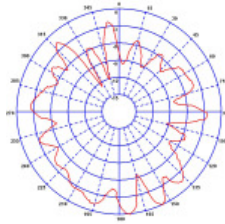
Typical H-Plane (900MHz)



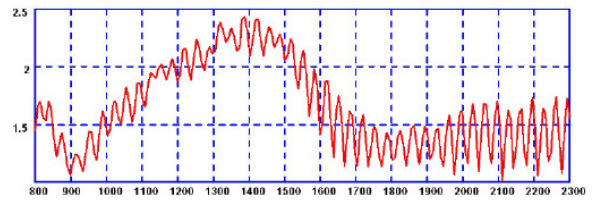
Typical H-Plane (1800MHz)



Typical H-Plane (2000MHz)



Typical VSWR*



* The VSWR of this antenna will vary depending on the mounting material and cable type and length

Part No.

TCB-C3G-UF

Electrical Data

Frequency Range (MHz)	805-894, 890-960, 1710-1880, 1900-2170
Operational Band	GSM850 / CDMA850, GSM900, GSM1800, PCS1900, 3G UMTS
Peak Gain: Isotropic	2dBi
Compared to ¼ wave	0dB
Pattern	Omni-directional
Impedance	50Ω
Max Input Power (W)	10

Mechanical Data

Dimensions (mm)	Length	50 (1.97")
	Width	40 (1.57")
	Thickness	0.6 (0.02")
Operating Temp (°C)	-40° / +80°C (-40° / +176°C)	
Colour	Black	

Mounting Data

Fixing Holes Diameter (mm)	Ø 3 (0.11")
----------------------------	-------------

Connector

Type	U.FL socket
Height (mm)	1.25 (0.05")

Panorama Antennas Ltd
Frogmore, London, SW18 1HF, United Kingdom

T: +44 (0)20 8877 4444
F: +44 (0)20 8877 4477

E: sales@panorama-antennas.com
www.panorama-antennas.com

PANORAMA ANTENNAS

Waiver: The data given above is indicative of the performance of the product/s under particular conditions and does not imply a guarantee of performance. These specifications are subject to change without notice. Copyright © Panorama Antennas Ltd. All rights reserved.